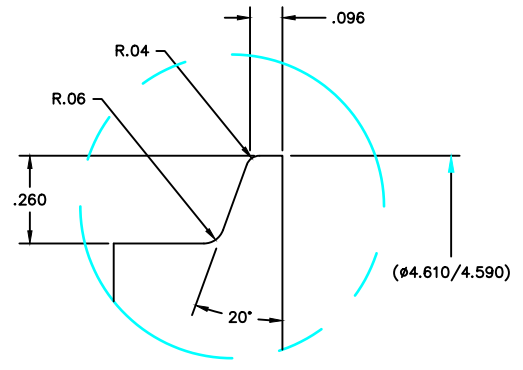
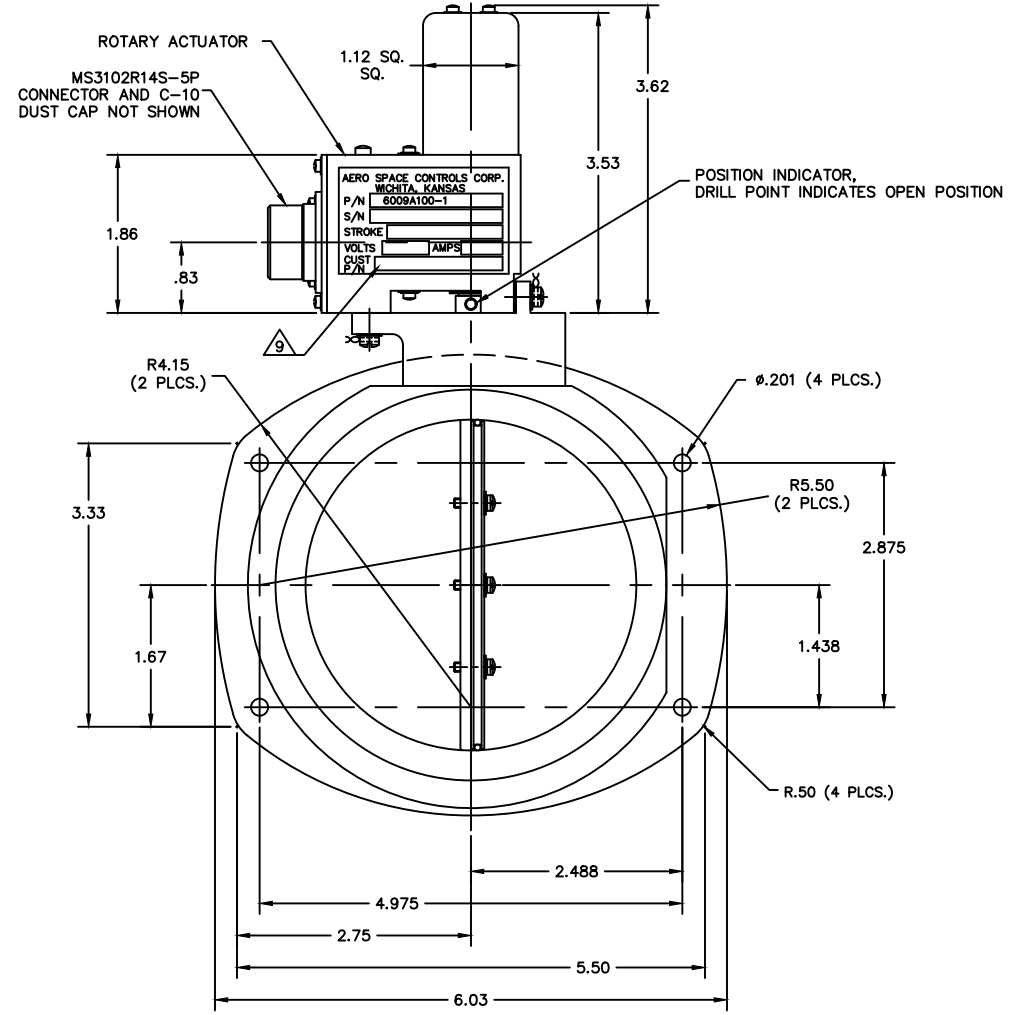
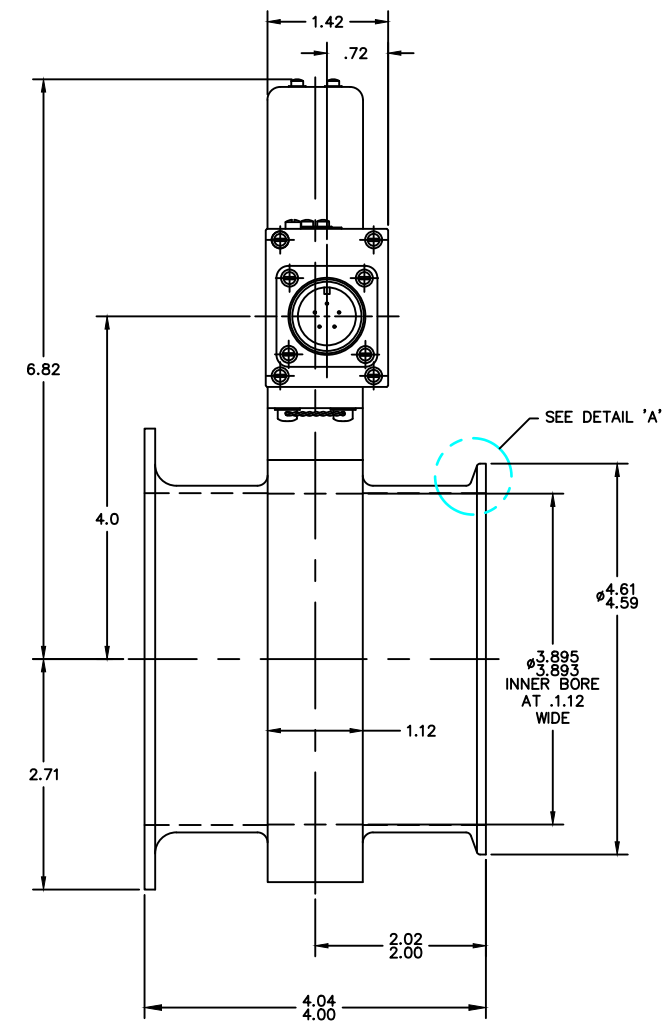


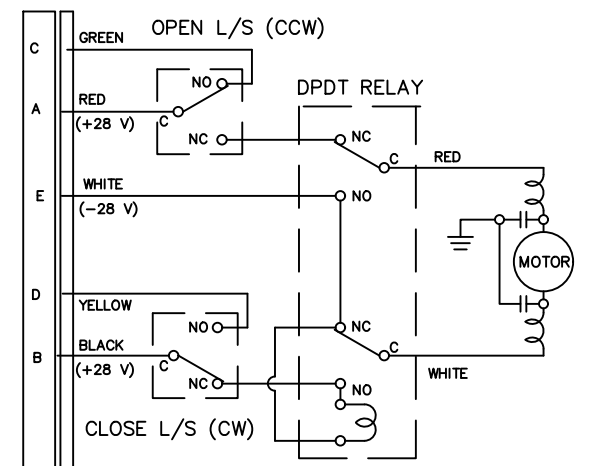
**- NOTICE -**  
 This drawing is a part of the proprietary article therein disclosed, and all design, manufacturing, reproduction, use, patent rights, and sales rights regarding the same are expressly reserved by Aero Space Controls Corporation, Wichita, Kansas. It is submitted under a confidential relationship for a specific purpose and shall not be disclosed to any unauthorized person or incorporated in any other projects.

REVISIONS				
C.O. NO.	REV.	REVISION DESCRIPTION	DATE	APPD.
ASC4901	A	AT SCHEMATIC FOR 1619101-35 ADDED NOTATION 'SCHEMATIC SHOWN IN FULL OPEN POSITION'	1-24-11	D.S.
ASC5035	B	REMOVE DISPLAYED CUSTOMER PART No. FROM THE NAMEPLATE. UPDATE NOTE (9) IN REGARDS. THIS REVISION A MARKER RELATED TO THE CHANGE OF THE BUTTERFLY O-RING FROM A 2-044 TO 2-043.	11-18-11	D.S.
ASC5696	C	UPDATE THE INSIDE DIAMETER GEOMETRY AS NEED BE TO COMPLY WITH REVISION 'A'/ASC4894 TO THE '6009116 VALVE BODY' DRAWING. SEE 'ECO'.	2-11-16	D.S.
ASC5758	D	REMOVE 'FLOW' NOTATION/ARROW FROM L.H. VIEW	7-1-16	D.S.
ASC5827	E	CORRECT NAMEPLATE LAYOUT	12-06-16	D.S.
ASC6221	F	UPDATE OUTLINE DWG. SEE ECO	08-05-20	D.S.



**DETAIL 'A'**  
 SCALE: 4X

**-1 VALVE**  
 SCALE: 1:1



**WIRE LEGEND**  
 GREEN OPEN POSITION INDICATOR  
 RED + 28VDC ACTUATOR OPEN  
 WHITE -28VDC ACTUATOR GROUND  
 YELLOW CLOSE POSITION INDICATOR  
 BLACK +28VDC ACTUATOR CLOSE

**ELECTRICAL SCHEMATIC**  
 -FOR 1619101-35 ROTARY ACTUATOR-  
 -SCHEMATIC SHOWN IN FULL OPEN POSITION-

**NOTES CONTINUED:**

- 7. VALVE DATA:**  
 -MAXIMUM WEIGHT: 2.8 LBS.  
 -STORAGE TEMPERATURE: -55° C TO +85° C  
 -OPERATING TEMPERATURE: -55° C TO +85° C [-67° F TO +185° F]  
 -OPERATING PRESSURE: -0.5 PSI TO +0.5 PSI  
 -PROOF PRESSURE: 1.0 PSI  
 -UNIT LIFE: MINIMUM 10,000 CYCLES AT STANDARD OPERATING CONDITIONS  
 -MAXIMUM LEAKAGE: .10 LB./MIN. AT 1 PSI (INTERNAL)  
 .05 LB./MIN. AT 1 PSI (EXTERNAL)
- 8. ACTUATOR DATA:**  
 -VOLTAGE: 28VDC  
 -CURRENT: 1.0 AMPS MAXIMUM  
 -RUNNING CURRENT: 0.4 AMPS  
 -DUTY CYCLE: CONTINUOUS  
 -CYCLE TIME: LESS THAN (3) SECONDS (OPEN TO CLOSE)

9 VALVE TO BE IDENTIFIED WITH THE APPLICABLE CUSTOMER PART NUMBER WHERE SHOWN

DIMENSIONAL SYMBOLS PER ASME Y14.5		UNLESS OTHERWISE SPECIFIED		SIGNATURES		DATE		AERO SPACE CONTROLS CORPORATION WICHITA, KANSAS	
1. DIMENSIONS ARE IN INCHES - TOLERANCES ON -	FRACTIONS ± 1/16	ANGLES ± 30'	DR. D. ORTH	7-30-10	TITLE:		VALVE, SOV -OUTLINE-		
2. SURFACE ROUGHNESS PER ASME-B46.1	XXX DEC ±.010	DRILL HOLES AND 10387	CHK.		ENGR.				
3. REMOVE BURRS & BREAK SHARP EDGES .010 MAX.			APPD. DON SIMON	8-2-10	NEXT ASSY:				
4. INTERNAL RADII .005 TO .015			6. ALL DIMENSIONS BEFORE PLATING		CODE IDENT No.		SIZE D 6009A100		
5. STRAIGHT SCREW MIL-S-7742 TAPERED PIPE MIL-P-7103			DO NOT SCALE DRAWING		SCALE: 1:1		UNIT WT. LBS. SH. 1 OF 1		