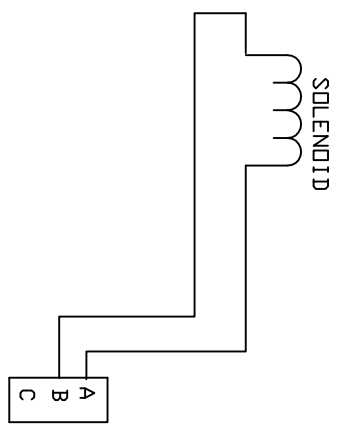
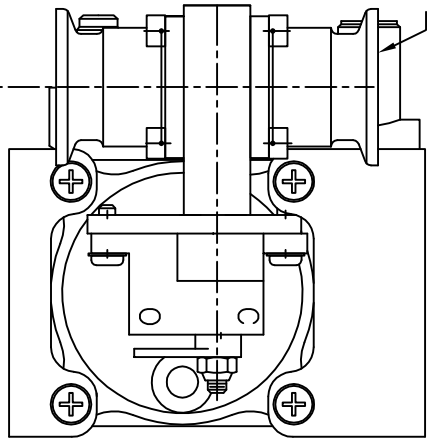
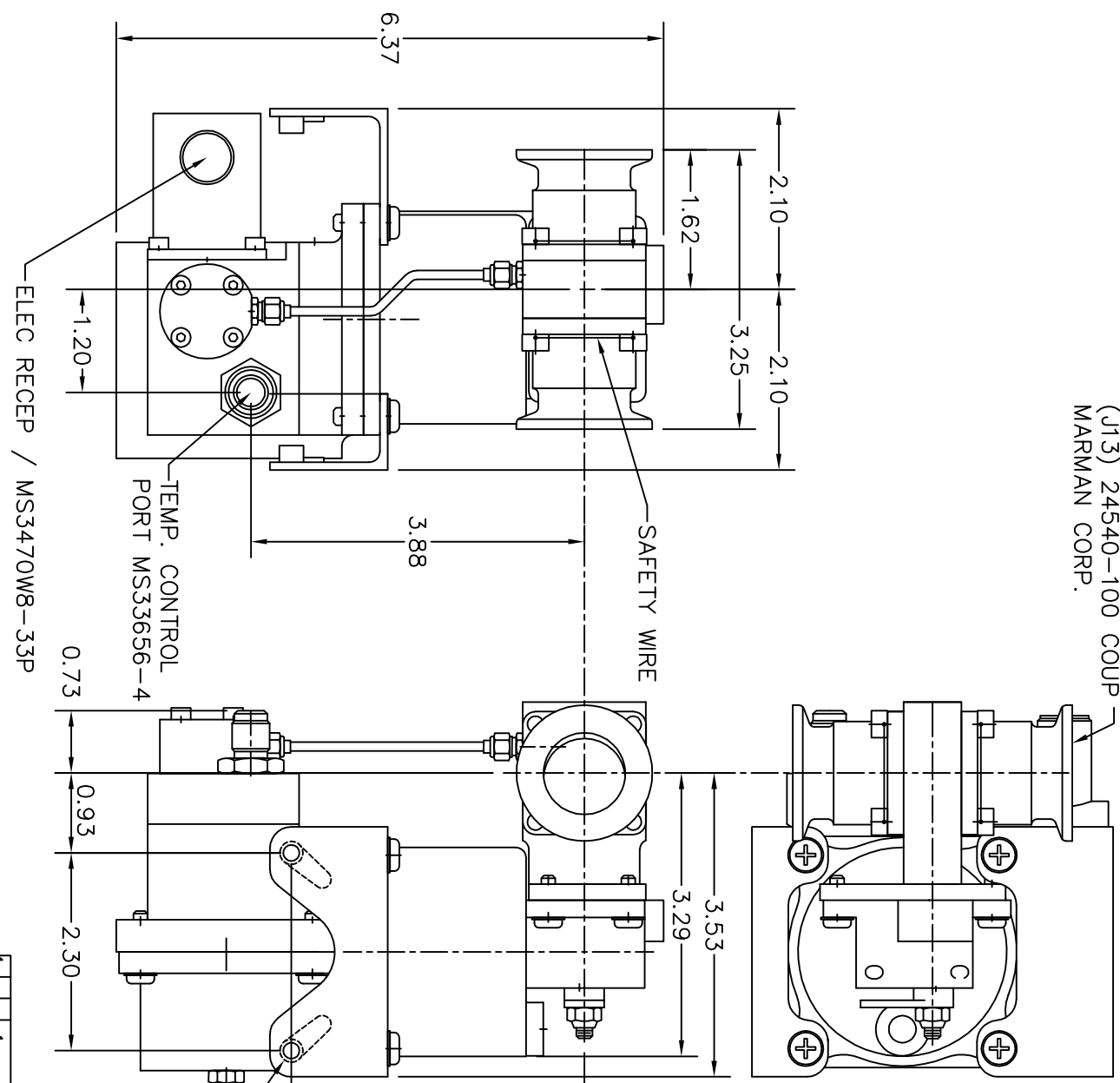


FLANGE TO MATCH
(J13) 24540-100 COUP
MARMAN CORP.



WIRING DIAGRAM

REVISIONS			
C.O. NO.	REV.	REVISION DESCRIPTION	DATE
ASC705	A	DESIGN REVISION	7-11-97
733	B	IS 1 eq. SPT SWITCH WAS 2 eq.	7-17-97
			D.S.

NOTICE - This drawing is a part of the proprietary article therein, and its use, reproduction, or disclosure, in whole or in part, is prohibited without the express written consent of Aero Space Controls, Inc. All rights reserved. Aero Space Controls, Inc. is not responsible for any unauthorized person or organization's use of this drawing for a specific purpose and does not warrant its use for any other purpose.

NOTES CONT'D:
7. DESIGNED TO MEET THE REQUIREMENTS OF
BEECH SCD 129-380001 REV. A.

DO NOT SCALE DRAWING

QTY	ITEM SIZE	PART NUMBER	DESCRIPTION	MATERIAL	DATE	APPR.
1		-1			3-24-97	APPR.

DIMENSIONAL SYMBOLS		SIGNATURES		DATE	
1. DIMENSIONS ARE IN INCHES.	UNLESS OTHERWISE SPECIFIED	DR.	B. WILSON	3-24-97	
2. FINISHES & STRAIGHTNESS PER MIL-STD-88		CHK.			
3. SURFACE FINISHES ON PARALLELISM		ENGR.	EWK	3-24-97	
4. SURFACE FINISHES ON PERPENDICULARITY		APPR.			
5. DIMENSIONS ON ROUNDED SURFACES		APPR.			
6. ALL DIMENSIONS BEFORE FINISHING					

LIST OF MATERIAL		TITLE	
1. DIMENSIONS ARE IN INCHES.	UNLESS OTHERWISE SPECIFIED	AERO SPACE CONTROLS CORPORATION	
2. FINISHES & STRAIGHTNESS PER MIL-STD-88		MOCHTA, KANSAS	
3. SURFACE FINISHES ON PARALLELISM		THRU VALVE	
4. SURFACE FINISHES ON PERPENDICULARITY		SIZE DWG. NO. 5001200	
5. DIMENSIONS ON ROUNDED SURFACES		SCALE 1"=1" UNIT WT. LB/SQ FT 1 OF 2	
6. ALL DIMENSIONS BEFORE FINISHING			