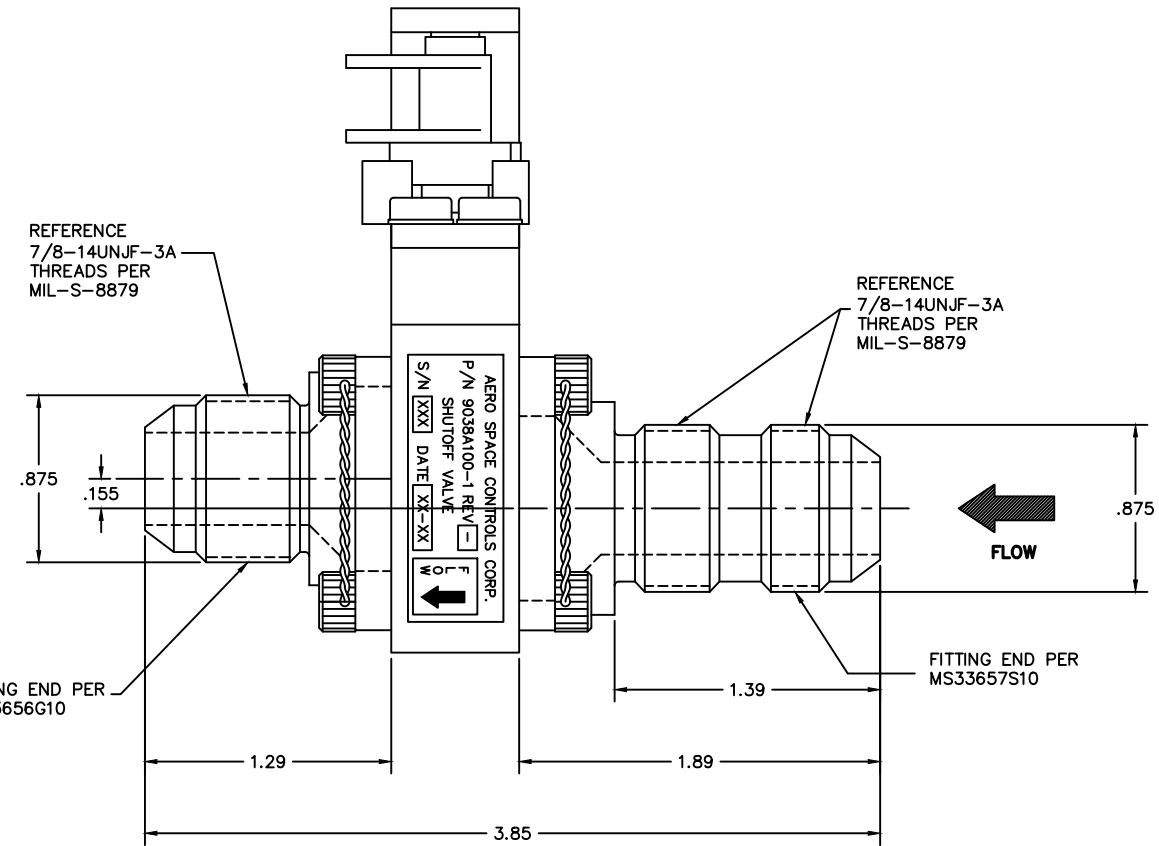
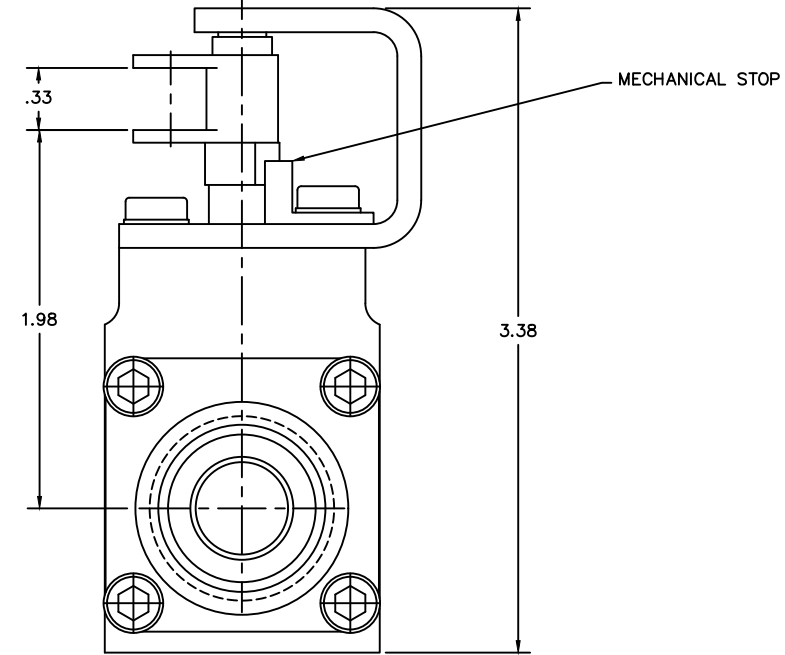
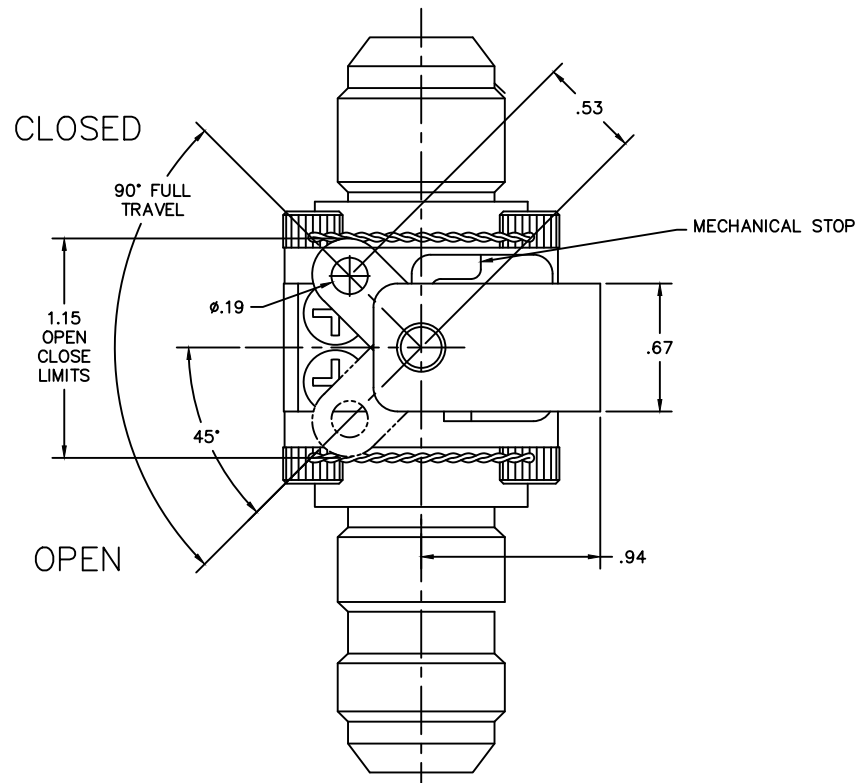


- NOTICE -  
 This drawing is a part of the proprietary article therein disclosed, and all design, manufacturing, reproduction, use, patent rights, and sales rights regarding the same are expressly reserved by Aero Space Controls Corporation, Wichita, Kansas. It is submitted under a confidential relationship for a specific purpose and shall not be disclosed to any unauthorized person or incorporated in any other projects.

REVISIONS				
C.O. NO.	REV.	REVISION DESCRIPTION	DATE	APPD.
ASC6192	A	REVISE NOTE 9. SEE ECO	02-25-20	D.S.



-1 OUTLINE  
 SCALE: 2:1

NOTES CONTINUED:

7. ALL VIEWS SHOWN WITH BUTTERFLY CLOSED
8. FLUID: ENGINE BLEED AIR
9. TEMPERATURES  
 AMBIENT: -65°F TO +250°F  
 FLUID: 600°F MAX
10. PRESSURES  
 AMBIENT: -1000 FT TO 50,000 FT  
 FLUID: 180 PSIG MAX OPER. 300 PSIG PROOF, 400 PSIG BURST
11. LEAKAGE  
 EXTERNAL: .10 PPM MAX AT 100 PSIG  
 INTERNAL: .22 PPM MAX AT 100 PSIG
12. TORQUE  
 OPERATING TORQUE SHALL NOT EXCEED 25 IN LBS AT 65 PSIG INLET PRESSURE
13. NAMEPLATE INFORMATION:  
 AERO SPACE CONTROLS CORP.  
 P.N. 9038A100-1 REV -  
 SHUTOFF VALVE  
 S/N XXX DATE XX-XX  
 FLOW DIRECTION INDICATOR

QTY.	ITEM	SIZE	PART NUMBER	DESCRIPTION	MATERIAL	MAT'L. SPEC.	FINISH	FINISH SPEC.	
			-1	VALVE SHUTOFF					
LIST OF MATERIALS									
DIMENSIONAL SYMBOLS PER ASME Y14.5 ▽ FLATNESS — STRAIGHTNESS ∠ ANGULARITY ⊥ PERPENDICULARITY // PARALLELISM ◎ CONCENTRICITY ⊕ TRUE POSITION ○ CIRCULARITY (ROUNDNESS) ≡ SYMMETRY (M) (MMC) MAXIMUM MATERIAL CONDITION (S) (RFS) REGARDLESS OF FEATURE SIZE				UNLESS OTHERWISE SPECIFIED 1. DIMENSIONS ARE IN INCHES - TOLERANCES ON - FRACTIONS ± 1/16 ANGLES ± 0° 30' XX DEC ± .030 DRILL HOLES AND 10387 XXX DEC ± .010 2. SURFACE ROUGHNESS PER ASME-B46.1 3. REMOVE BURRS & BREAK SHARP EDGES .010 MAX. 4. INTERNAL RADII .005 TO .015 5. STRAIGHT SCREW MIL-S-7742 TAPERED PIPE MIL-P-7105		SIGNATURES DR. B. MOODY CHK. ENGR. APPD. D. SIMON NEXT ASSY: 6. ALL DIMENSIONS BEFORE PLATING DO NOT SCALE DRAWING		DATE 9-21-16 9-21-16	
AERO SPACE CONTROLS CORPORATION WICHITA, KANSAS							TITLE: VALVE - SHUTOFF MANUALLY OPERATED		
						CODE IDENT No.	SIZE D	DWG. No. 9038A100	
						SCALE: 2:1	UNIT WT. LBS.	SHT. 1 OF 1	