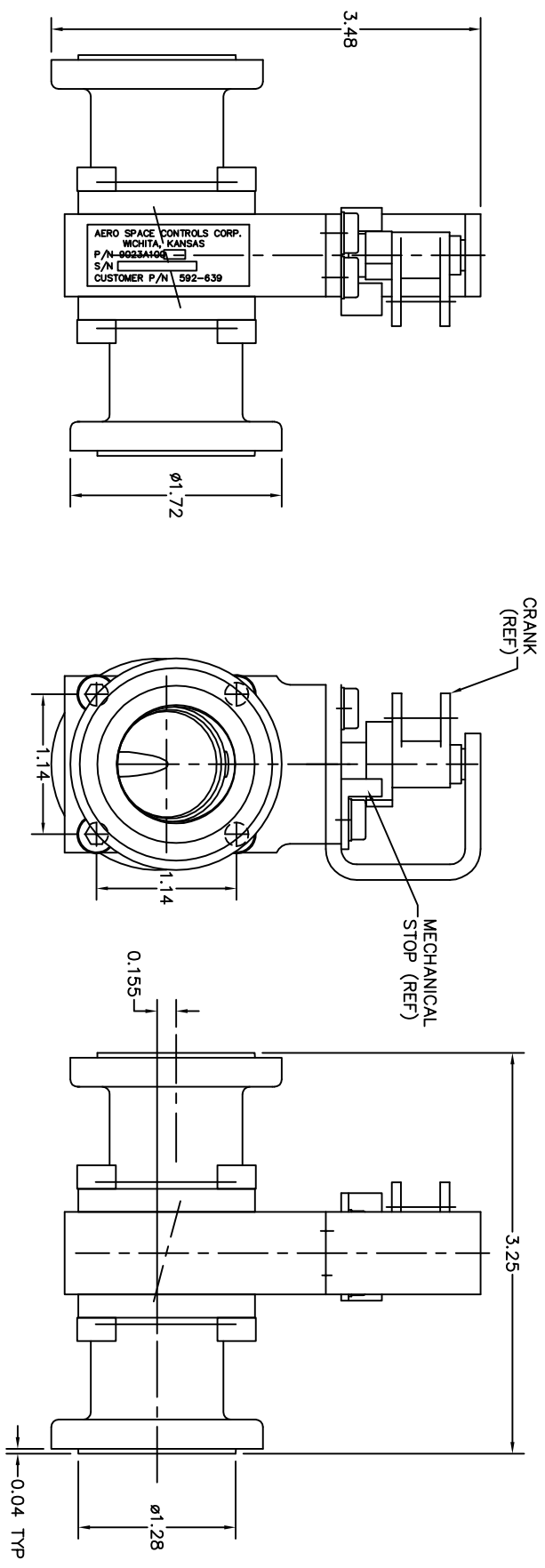
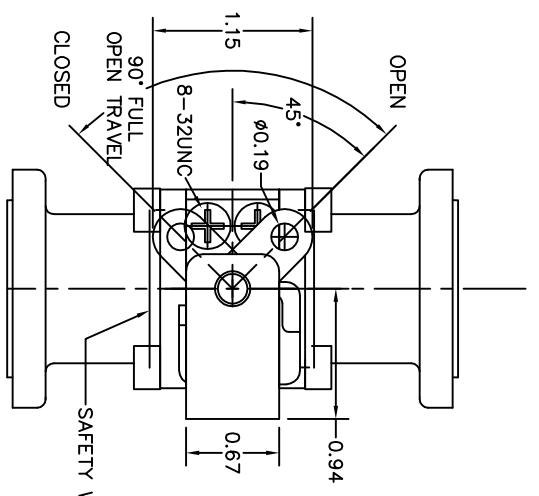


REVISONS		DATE	APPR. BY
C.O. NO.	REV.	REVISION DESCRIPTION	
ASC17721	H	SEE SHIT. 1 FOR REV	D.S.

NOTES



AERO SPACE CONTROLS CORP.
WICHITA, KANSAS
P/N 9023A100
S/N
CUSTOMER P/N 592-639

DO NOT SCALE DRAWING

NOTICE
This drawing is a part of the proprietary article therein. All rights are reserved by Aero Space Controls Corporation. No part of this drawing may be reproduced, stored in a retrieval system, or transmitted in any form or by any means, electronic, mechanical, photocopying, recording, or by any information storage and retrieval system, without the prior written permission of Aero Space Controls Corporation.

QTY	1	C	-4	PART NUMBER	DESCRIPTION	MATERIAL	MAT. SPEC.	FINISH	FINISH SPEC.
<p>UNLESS OTHERWISE SPECIFIED: 1. DIMENSIONS ARE IN INCHES. 2. FINISH: 125 RA UNLESS OTHERWISE SPECIFIED. 3. DIMENSIONS TO CENTER UNLESS OTHERWISE SPECIFIED. 4. DIMENSIONS TO DIMENSION LINE UNLESS OTHERWISE SPECIFIED. 5. DIMENSIONS TO DIMENSION LINE UNLESS OTHERWISE SPECIFIED. 6. ALL DIMENSIONS BEFORE FINISH.</p>									
<p>DIMENSIONAL SYMBOLS PER MIL-STD-88</p> <p>FLATNESS & STRAIGHTNESS PARALLELISM PERPENDICULARITY CONCENTRICITY ROUNDNESS SYMMETRY SAMPLING METHOD REWORK CONDITION (RMG) REWORK SIZE (RSZ)</p>									
<p>LIST OF MATERIAL</p> <p>AERO SPACE CONTROLS CORPORATION WICHITA, KANSAS</p> <p>VALVE BODY ASSEMBLY</p> <p>DATE: 3-2-98</p> <p>SIGNATURES: DR. B.W., CHK. S.K., ENGR. S.K., APPR.</p> <p>SCALE: NONE UNIT WT. LB SHIP 2 OF 2</p>									