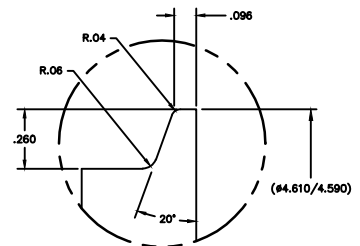
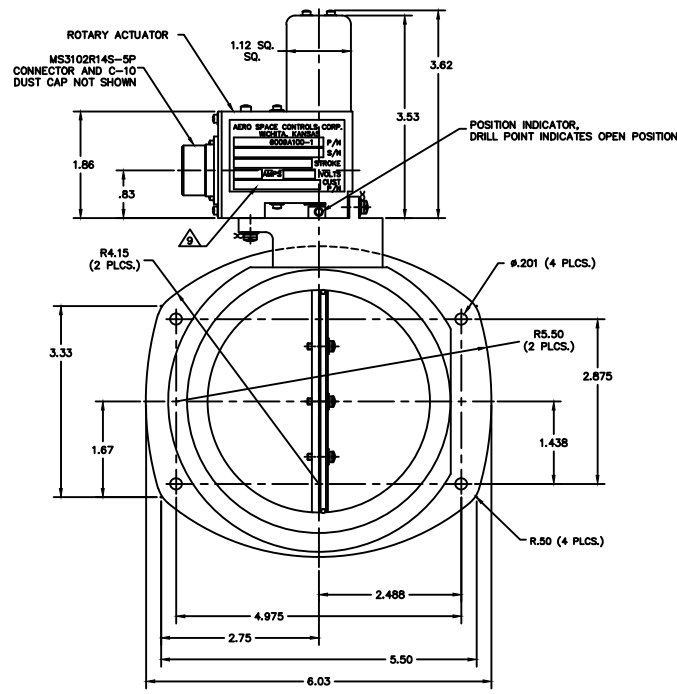
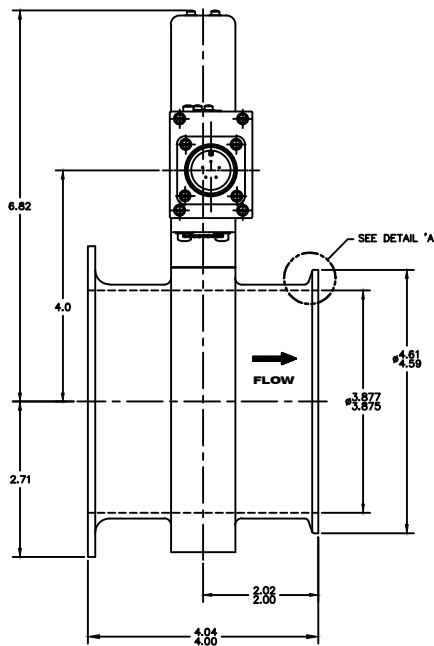
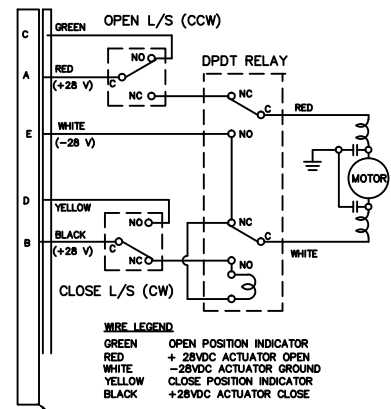


— NOTICE —
 This drawing is a part of the proprietary article therein disclosed and all design, manufacturing, reproduction, use, patent rights, and other rights regarding the same are expressly reserved by Aero Space Controls Corporation. Hence, it is submitted under a confidential relationship for a specific purpose and shall not be disclosed to any unauthorized person or incorporated in any other projects.

| REVISIONS | | | | |
|-----------|------|--|----------|-------|
| C.O. NO. | REV. | REVISION DESCRIPTION | DATE | APPD. |
| ASC4901 | A | AT SCHEMATIC FOR 1619101-35 ADDED NOTATION "SCHEMATIC SHOWN IN FULL OPEN POSITION" | 1-24-11 | D.S. |
| | B | REMOVE DISPLAYED CUSTOMER PART NO. FROM THE NAMEPLATE. UPDATE NOTE (9) IN REGARDS. THIS REVISION A MARKER RELATED TO THE CHANGE OF THE BUTTERFLY O-RING FROM A 2-044 TO 2-043. | 11-18-11 | D.S. |



DETAIL 'A'
 SCALE: 4X



WIRE LEGEND
 GREEN OPEN POSITION INDICATOR
 RED +28VDC ACTUATOR OPEN
 WHITE -28VDC ACTUATOR GROUND
 YELLOW CLOSE POSITION INDICATOR
 BLACK +28VDC ACTUATOR CLOSE

NOTES CONTINUED:

7. VALVE DATA:
 -MAXIMUM WEIGHT: 6 LBS.
 -STORAGE TEMPERATURE: -55° C TO +85° C
 -OPERATING TEMPERATURE: -15° C TO +55° C [5° F TO 131° F]
 -OPERATING PRESSURE: -0.5 PSI TO +0.5 PSI
 -PROOF PRESSURE: 1.0 PSI
 -UNIT LIFE: MINIMUM 10,000 CYCLES AT STANDARD OPERATING CONDITIONS
 -MAXIMUM LEAKAGE: .10 LB./MIN. AT 1 PSI (INTERNAL)
 .05 LB./MIN. AT 1 PSI (EXTERNAL)
8. ACTUATOR DATA:
 -VOLTAGE: 28VDC
 -CURRENT: 1.0 AMPS MAXIMUM
 -RUNNING CURRENT: 0.4 AMPS
 -DUTY CYCLE: CONTINUOUS
 -CYCLE TIME: LESS THAN (3) SECONDS (OPEN TO CLOSE)

⚠ VALVE TO BE IDENTIFIED WITH THE APPLICABLE CUSTOMER PART NUMBER WHERE SHOWN

-1 VALVE
 SCALE: 1:1

ELECTRICAL SCHEMATIC
 -FOR 1619101-35 ROTARY ACTUATOR-
 -SCHEMATIC SHOWN IN FULL OPEN POSITION-

| DIMENSIONAL SYMBOLS PER ASME Y14.5 | | UNLESS OTHERWISE SPECIFIED | | SIGNALS | | DATE | AERO SPACE CONTROLS CORPORATION MEXIA, TEXAS | |
|------------------------------------|----------------------------------|----------------------------|---------|---------|--|------|---|---------------|
| 1. DIMENSIONS ARE IN INCHES | 2. DIMENSIONS ARE IN INCHES | DEL. D. ORTH | 7-30-10 | | | | TITLE: | VALVE, SOV |
| 3. STRAIGHTNESS | 4. ANGLES | CHK. | | | | | | -OUTLINE- |
| 5. HOLE POSITION | 6. DRILL HOLES | ENGR. | | | | | CODE BENT NO. SIZE | DWG. NO. |
| 7. PERPENDICULARITY | 8. DRILL HOLES | | | | | | D | 6009A100 |
| 9. PARALLELISM | 9. SURFACE TOLERANCES | APPD. DON SIMON | 8-2-10 | | | | SCALE: 1:1 | UNIT WT. LBS. |
| 10. CONCENTRICITY | 10. REMOVE BURRS & BREAK | | | | | | | BRG. 1 OF 1 |
| 11. TRUE POSITION | 11. REMOVE BURRS & BREAK | | | | | | | |
| 12. SURFACE TOLERANCES | 12. REMOVE BURRS & BREAK | | | | | | | |
| 13. CHAMFER | 13. REMOVE BURRS & BREAK | | | | | | | |
| 14. INTERNAL RADI (.005 TO .010) | 14. INTERNAL RADI (.005 TO .010) | | | | | | | |
| 15. STRAIGHTNESS | 15. STRAIGHTNESS | | | | | | | |
| 16. STRAIGHTNESS | 16. STRAIGHTNESS | | | | | | | |
| 17. STRAIGHTNESS | 17. STRAIGHTNESS | | | | | | | |
| 18. STRAIGHTNESS | 18. STRAIGHTNESS | | | | | | | |
| 19. STRAIGHTNESS | 19. STRAIGHTNESS | | | | | | | |
| 20. STRAIGHTNESS | 20. STRAIGHTNESS | | | | | | | |
| 21. STRAIGHTNESS | 21. STRAIGHTNESS | | | | | | | |
| 22. STRAIGHTNESS | 22. STRAIGHTNESS | | | | | | | |
| 23. STRAIGHTNESS | 23. STRAIGHTNESS | | | | | | | |
| 24. STRAIGHTNESS | 24. STRAIGHTNESS | | | | | | | |
| 25. STRAIGHTNESS | 25. STRAIGHTNESS | | | | | | | |
| 26. STRAIGHTNESS | 26. STRAIGHTNESS | | | | | | | |
| 27. STRAIGHTNESS | 27. STRAIGHTNESS | | | | | | | |
| 28. STRAIGHTNESS | 28. STRAIGHTNESS | | | | | | | |
| 29. STRAIGHTNESS | 29. STRAIGHTNESS | | | | | | | |
| 30. STRAIGHTNESS | 30. STRAIGHTNESS | | | | | | | |
| 31. STRAIGHTNESS | 31. STRAIGHTNESS | | | | | | | |
| 32. STRAIGHTNESS | 32. STRAIGHTNESS | | | | | | | |
| 33. STRAIGHTNESS | 33. STRAIGHTNESS | | | | | | | |
| 34. STRAIGHTNESS | 34. STRAIGHTNESS | | | | | | | |
| 35. STRAIGHTNESS | 35. STRAIGHTNESS | | | | | | | |
| 36. STRAIGHTNESS | 36. STRAIGHTNESS | | | | | | | |
| 37. STRAIGHTNESS | 37. STRAIGHTNESS | | | | | | | |
| 38. STRAIGHTNESS | 38. STRAIGHTNESS | | | | | | | |
| 39. STRAIGHTNESS | 39. STRAIGHTNESS | | | | | | | |
| 40. STRAIGHTNESS | 40. STRAIGHTNESS | | | | | | | |
| 41. STRAIGHTNESS | 41. STRAIGHTNESS | | | | | | | |
| 42. STRAIGHTNESS | 42. STRAIGHTNESS | | | | | | | |
| 43. STRAIGHTNESS | 43. STRAIGHTNESS | | | | | | | |
| 44. STRAIGHTNESS | 44. STRAIGHTNESS | | | | | | | |
| 45. STRAIGHTNESS | 45. STRAIGHTNESS | | | | | | | |
| 46. STRAIGHTNESS | 46. STRAIGHTNESS | | | | | | | |
| 47. STRAIGHTNESS | 47. STRAIGHTNESS | | | | | | | |
| 48. STRAIGHTNESS | 48. STRAIGHTNESS | | | | | | | |
| 49. STRAIGHTNESS | 49. STRAIGHTNESS | | | | | | | |
| 50. STRAIGHTNESS | 50. STRAIGHTNESS | | | | | | | |
| 51. STRAIGHTNESS | 51. STRAIGHTNESS | | | | | | | |
| 52. STRAIGHTNESS | 52. STRAIGHTNESS | | | | | | | |
| 53. STRAIGHTNESS | 53. STRAIGHTNESS | | | | | | | |
| 54. STRAIGHTNESS | 54. STRAIGHTNESS | | | | | | | |
| 55. STRAIGHTNESS | 55. STRAIGHTNESS | | | | | | | |
| 56. STRAIGHTNESS | 56. STRAIGHTNESS | | | | | | | |
| 57. STRAIGHTNESS | 57. STRAIGHTNESS | | | | | | | |
| 58. STRAIGHTNESS | 58. STRAIGHTNESS | | | | | | | |
| 59. STRAIGHTNESS | 59. STRAIGHTNESS | | | | | | | |
| 60. STRAIGHTNESS | 60. STRAIGHTNESS | | | | | | | |
| 61. STRAIGHTNESS | 61. STRAIGHTNESS | | | | | | | |
| 62. STRAIGHTNESS | 62. STRAIGHTNESS | | | | | | | |
| 63. STRAIGHTNESS | 63. STRAIGHTNESS | | | | | | | |
| 64. STRAIGHTNESS | 64. STRAIGHTNESS | | | | | | | |
| 65. STRAIGHTNESS | 65. STRAIGHTNESS | | | | | | | |
| 66. STRAIGHTNESS | 66. STRAIGHTNESS | | | | | | | |
| 67. STRAIGHTNESS | 67. STRAIGHTNESS | | | | | | | |
| 68. STRAIGHTNESS | 68. STRAIGHTNESS | | | | | | | |
| 69. STRAIGHTNESS | 69. STRAIGHTNESS | | | | | | | |
| 70. STRAIGHTNESS | 70. STRAIGHTNESS | | | | | | | |
| 71. STRAIGHTNESS | 71. STRAIGHTNESS | | | | | | | |
| 72. STRAIGHTNESS | 72. STRAIGHTNESS | | | | | | | |
| 73. STRAIGHTNESS | 73. STRAIGHTNESS | | | | | | | |
| 74. STRAIGHTNESS | 74. STRAIGHTNESS | | | | | | | |
| 75. STRAIGHTNESS | 75. STRAIGHTNESS | | | | | | | |
| 76. STRAIGHTNESS | 76. STRAIGHTNESS | | | | | | | |
| 77. STRAIGHTNESS | 77. STRAIGHTNESS | | | | | | | |
| 78. STRAIGHTNESS | 78. STRAIGHTNESS | | | | | | | |
| 79. STRAIGHTNESS | 79. STRAIGHTNESS | | | | | | | |
| 80. STRAIGHTNESS | 80. STRAIGHTNESS | | | | | | | |
| 81. STRAIGHTNESS | 81. STRAIGHTNESS | | | | | | | |
| 82. STRAIGHTNESS | 82. STRAIGHTNESS | | | | | | | |
| 83. STRAIGHTNESS | 83. STRAIGHTNESS | | | | | | | |
| 84. STRAIGHTNESS | 84. STRAIGHTNESS | | | | | | | |
| 85. STRAIGHTNESS | 85. STRAIGHTNESS | | | | | | | |
| 86. STRAIGHTNESS | 86. STRAIGHTNESS | | | | | | | |
| 87. STRAIGHTNESS | 87. STRAIGHTNESS | | | | | | | |
| 88. STRAIGHTNESS | 88. STRAIGHTNESS | | | | | | | |
| 89. STRAIGHTNESS | 89. STRAIGHTNESS | | | | | | | |
| 90. STRAIGHTNESS | 90. STRAIGHTNESS | | | | | | | |
| 91. STRAIGHTNESS | 91. STRAIGHTNESS | | | | | | | |
| 92. STRAIGHTNESS | 92. STRAIGHTNESS | | | | | | | |
| 93. STRAIGHTNESS | 93. STRAIGHTNESS | | | | | | | |
| 94. STRAIGHTNESS | 94. STRAIGHTNESS | | | | | | | |
| 95. STRAIGHTNESS | 95. STRAIGHTNESS | | | | | | | |
| 96. STRAIGHTNESS | 96. STRAIGHTNESS | | | | | | | |
| 97. STRAIGHTNESS | 97. STRAIGHTNESS | | | | | | | |
| 98. STRAIGHTNESS | 98. STRAIGHTNESS | | | | | | | |
| 99. STRAIGHTNESS | 99. STRAIGHTNESS | | | | | | | |
| 100. STRAIGHTNESS | 100. STRAIGHTNESS | | | | | | | |