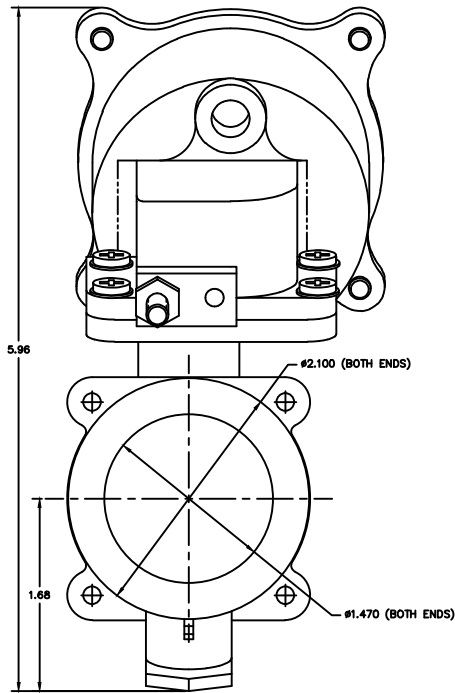
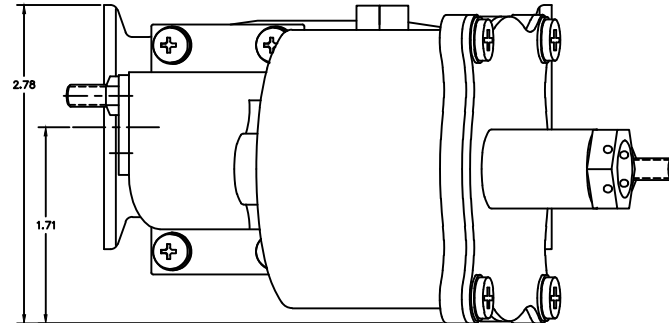
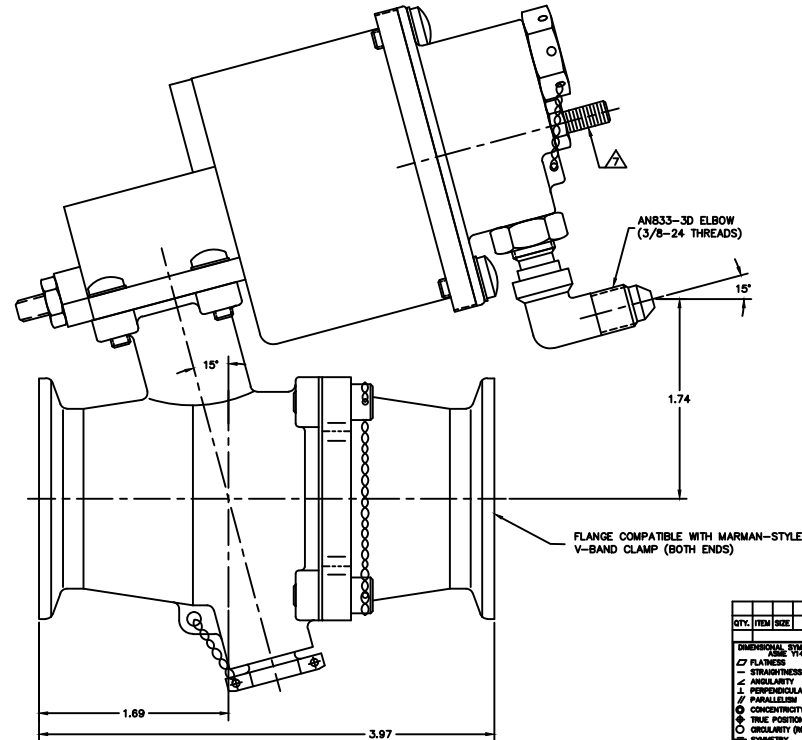


— NOTICE —  
 This drawing is a part of the proprietary article therein disclosed and all design, manufacturing, reproduction, use, patent rights, and other facts regarding the same are expressly reserved by Aero Space Controls Corporation. Notwithstanding, hereon, it is submitted under a confidential relationship for a specific purpose and shall not be disclosed to any unauthorized person or incorporated in any other projects.

REVISIONS				
C.O. NO.	REV.	REVISION DESCRIPTION	DATE	APPD.



-1 VALVE/ACTUATOR OUTLINE



NOTES CONTINUED:

△ OPENING RATE OF VALVE IS ADJUSTABLE

8. VALVE WILL ACTUATE AT PRESSURE RANGING FROM 15 TO 25 PSI

9. THE (-1) VALVE IS NORMALLY CLOSED  
 THE (-3) VALVE IS NORMALLY OPEN

-1, -3		FLANGE VALVE OUTLINE		LIST OF MATERIALS			
QTY.	ITEM SIZE	PART NUMBER	DESCRIPTION	MATERIAL	MATL. SPEC.	FINISH	FINISH SPEC.
DIMENSIONAL SYMBOLS PER ASME Y14.5		UNLESS OTHERWISE SPECIFIED		AERO SPACE CONTROLS CORPORATION MEXIA, KANSAS			
C/ FLATNESS		TOLERANCES ARE IN INCHES		TITLES			
- STRAIGHTNESS		FRACTIONS & 1/4" ANGLES		SHUTOFF FLANGE VALVE			
/ ANGLE		PER DEC. 31.000		- PNEUMATIC DRIVEN -			
L PERPENDICULARITY		PER DEC. 8.000		SCALE: 2:1			
/ PARALLELISM		PER DEC. 8.000		UNIT WT. LIB.			
O CONCENTRICITY		PER ASME-Y14.5		SHEET 1 OF 1			
* TRUE POSITION		PER ASME-Y14.5		DATE: 8-31-09			
C CHIRALITY (HORIZONTAL)		PER ASME-Y14.5		DRAWN BY: APPD. DON SIMON			
* CHIRALITY (VERTICAL)		PER ASME-Y14.5		CHECKED BY: DWG. 10387			
* CHIRALITY (DIAGONAL)		PER ASME-Y14.5		APPROVED BY: APPD. DON SIMON			
* CHIRALITY (CIRCULAR)		PER ASME-Y14.5		DATE: 2-17-10			
* CHIRALITY (RECTANGULAR)		PER ASME-Y14.5		DATE: 2-17-10			
* CHIRALITY (DIAGONAL)		PER ASME-Y14.5		DATE: 2-17-10			
* CHIRALITY (CIRCULAR)		PER ASME-Y14.5		DATE: 2-17-10			
* CHIRALITY (RECTANGULAR)		PER ASME-Y14.5		DATE: 2-17-10			
* CHIRALITY (DIAGONAL)		PER ASME-Y14.5		DATE: 2-17-10			
* CHIRALITY (CIRCULAR)		PER ASME-Y14.5		DATE: 2-17-10			
* CHIRALITY (RECTANGULAR)		PER ASME-Y14.5		DATE: 2-17-10			
* CHIRALITY (DIAGONAL)		PER ASME-Y14.5		DATE: 2-17-10			
* CHIRALITY (CIRCULAR)		PER ASME-Y14.5		DATE: 2-17-10			
* CHIRALITY (RECTANGULAR)		PER ASME-Y14.5		DATE: 2-17-10			
* CHIRALITY (DIAGONAL)		PER ASME-Y14.5		DATE: 2-17-10			
* CHIRALITY (CIRCULAR)		PER ASME-Y14.5		DATE: 2-17-10			
* CHIRALITY (RECTANGULAR)		PER ASME-Y14.5		DATE: 2-17-10			
* CHIRALITY (DIAGONAL)		PER ASME-Y14.5		DATE: 2-17-10			
* CHIRALITY (CIRCULAR)		PER ASME-Y14.5		DATE: 2-17-10			
* CHIRALITY (RECTANGULAR)		PER ASME-Y14.5		DATE: 2-17-10			
* CHIRALITY (DIAGONAL)		PER ASME-Y14.5		DATE: 2-17-10			
* CHIRALITY (CIRCULAR)		PER ASME-Y14.5		DATE: 2-17-10			
* CHIRALITY (RECTANGULAR)		PER ASME-Y14.5		DATE: 2-17-10			
* CHIRALITY (DIAGONAL)		PER ASME-Y14.5		DATE: 2-17-10			
* CHIRALITY (CIRCULAR)		PER ASME-Y14.5		DATE: 2-17-10			
* CHIRALITY (RECTANGULAR)		PER ASME-Y14.5		DATE: 2-17-10			
* CHIRALITY (DIAGONAL)		PER ASME-Y14.5		DATE: 2-17-10			
* CHIRALITY (CIRCULAR)		PER ASME-Y14.5		DATE: 2-17-10			
* CHIRALITY (RECTANGULAR)		PER ASME-Y14.5		DATE: 2-17-10			
* CHIRALITY (DIAGONAL)		PER ASME-Y14.5		DATE: 2-17-10			
* CHIRALITY (CIRCULAR)		PER ASME-Y14.5		DATE: 2-17-10			
* CHIRALITY (RECTANGULAR)		PER ASME-Y14.5		DATE: 2-17-10			
* CHIRALITY (DIAGONAL)		PER ASME-Y14.5		DATE: 2-17-10			
* CHIRALITY (CIRCULAR)		PER ASME-Y14.5		DATE: 2-17-10			
* CHIRALITY (RECTANGULAR)		PER ASME-Y14.5		DATE: 2-17-10			
* CHIRALITY (DIAGONAL)		PER ASME-Y14.5		DATE: 2-17-10			
* CHIRALITY (CIRCULAR)		PER ASME-Y14.5		DATE: 2-17-10			
* CHIRALITY (RECTANGULAR)		PER ASME-Y14.5		DATE: 2-17-10			
* CHIRALITY (DIAGONAL)		PER ASME-Y14.5		DATE: 2-17-10			
* CHIRALITY (CIRCULAR)		PER ASME-Y14.5		DATE: 2-17-10			
* CHIRALITY (RECTANGULAR)		PER ASME-Y14.5		DATE: 2-17-10			
* CHIRALITY (DIAGONAL)		PER ASME-Y14.5		DATE: 2-17-10			
* CHIRALITY (CIRCULAR)		PER ASME-Y14.5		DATE: 2-17-10			
* CHIRALITY (RECTANGULAR)		PER ASME-Y14.5		DATE: 2-17-10			
* CHIRALITY (DIAGONAL)		PER ASME-Y14.5		DATE: 2-17-10			
* CHIRALITY (CIRCULAR)		PER ASME-Y14.5		DATE: 2-17-10			
* CHIRALITY (RECTANGULAR)		PER ASME-Y14.5		DATE: 2-17-10			
* CHIRALITY (DIAGONAL)		PER ASME-Y14.5		DATE: 2-17-10			
* CHIRALITY (CIRCULAR)		PER ASME-Y14.5		DATE: 2-17-10			
* CHIRALITY (RECTANGULAR)		PER ASME-Y14.5		DATE: 2-17-10			
* CHIRALITY (DIAGONAL)		PER ASME-Y14.5		DATE: 2-17-10			
* CHIRALITY (CIRCULAR)		PER ASME-Y14.5		DATE: 2-17-10			
* CHIRALITY (RECTANGULAR)		PER ASME-Y14.5		DATE: 2-17-10			
* CHIRALITY (DIAGONAL)		PER ASME-Y14.5		DATE: 2-17-10			
* CHIRALITY (CIRCULAR)		PER ASME-Y14.5		DATE: 2-17-10			
* CHIRALITY (RECTANGULAR)		PER ASME-Y14.5		DATE: 2-17-10			
* CHIRALITY (DIAGONAL)		PER ASME-Y14.5		DATE: 2-17-10			
* CHIRALITY (CIRCULAR)		PER ASME-Y14.5		DATE: 2-17-10			
* CHIRALITY (RECTANGULAR)		PER ASME-Y14.5		DATE: 2-17-10			
* CHIRALITY (DIAGONAL)		PER ASME-Y14.5		DATE: 2-17-10			
* CHIRALITY (CIRCULAR)		PER ASME-Y14.5		DATE: 2-17-10			
* CHIRALITY (RECTANGULAR)		PER ASME-Y14.5		DATE: 2-17-10			
* CHIRALITY (DIAGONAL)		PER ASME-Y14.5		DATE: 2-17-10			
* CHIRALITY (CIRCULAR)		PER ASME-Y14.5		DATE: 2-17-10			
* CHIRALITY (RECTANGULAR)		PER ASME-Y14.5		DATE: 2-17-10			
* CHIRALITY (DIAGONAL)		PER ASME-Y14.5		DATE: 2-17-10			
* CHIRALITY (CIRCULAR)		PER ASME-Y14.5		DATE: 2-17-10			
* CHIRALITY (RECTANGULAR)		PER ASME-Y14.5		DATE: 2-17-10			
* CHIRALITY (DIAGONAL)		PER ASME-Y14.5		DATE: 2-17-10			
* CHIRALITY (CIRCULAR)		PER ASME-Y14.5		DATE: 2-17-10			
* CHIRALITY (RECTANGULAR)		PER ASME-Y14.5		DATE: 2-17-10			
* CHIRALITY (DIAGONAL)		PER ASME-Y14.5		DATE: 2-17-10			
* CHIRALITY (CIRCULAR)		PER ASME-Y14.5		DATE: 2-17-10			
* CHIRALITY (RECTANGULAR)		PER ASME-Y14.5		DATE: 2-17-10			
* CHIRALITY (DIAGONAL)		PER ASME-Y14.5		DATE: 2-17-10			
* CHIRALITY (CIRCULAR)		PER ASME-Y14.5		DATE: 2-17-10			
* CHIRALITY (RECTANGULAR)		PER ASME-Y14.5		DATE: 2-17-10			
* CHIRALITY (DIAGONAL)		PER ASME-Y14.5		DATE: 2-17-10			
* CHIRALITY (CIRCULAR)		PER ASME-Y14.5		DATE: 2-17-10			
* CHIRALITY (RECTANGULAR)		PER ASME-Y14.5		DATE: 2-17-10			
* CHIRALITY (DIAGONAL)		PER ASME-Y14.5		DATE: 2-17-10			
* CHIRALITY (CIRCULAR)		PER ASME-Y14.5		DATE: 2-17-10			
* CHIRALITY (RECTANGULAR)		PER ASME-Y14.5		DATE: 2-17-10			
* CHIRALITY (DIAGONAL)		PER ASME-Y14.5		DATE: 2-17-10			
* CHIRALITY (CIRCULAR)		PER ASME-Y14.5		DATE: 2-17-10			
* CHIRALITY (RECTANGULAR)		PER ASME-Y14.5		DATE: 2-17-10			
* CHIRALITY (DIAGONAL)		PER ASME-Y14.5		DATE: 2-17-10			
* CHIRALITY (CIRCULAR)		PER ASME-Y14.5		DATE: 2-17-10			
* CHIRALITY (RECTANGULAR)		PER ASME-Y14.5		DATE: 2-17-10			
* CHIRALITY (DIAGONAL)		PER ASME-Y14.5		DATE: 2-17-10			
* CHIRALITY (CIRCULAR)		PER ASME-Y14.5		DATE: 2-17-10			
* CHIRALITY (RECTANGULAR)		PER ASME-Y14.5		DATE: 2-17-10			
* CHIRALITY (DIAGONAL)		PER ASME-Y14.5		DATE: 2-17-10			
* CHIRALITY (CIRCULAR)		PER ASME-Y14.5		DATE: 2-17-10			
* CHIRALITY (RECTANGULAR)		PER ASME-Y14.5		DATE: 2-17-10			
* CHIRALITY (DIAGONAL)		PER ASME-Y14.5		DATE: 2-17-10			
* CHIRALITY (CIRCULAR)		PER ASME-Y14.5		DATE: 2-17-10			
* CHIRALITY (RECTANGULAR)		PER ASME-Y14.5		DATE: 2-17-10			
* CHIRALITY (DIAGONAL)		PER ASME-Y14.5		DATE: 2-17-10			
* CHIRALITY (CIRCULAR)		PER ASME-Y14.5		DATE: 2-17-10			
* CHIRALITY (RECTANGULAR)		PER ASME-Y14.5		DATE: 2-17-10			
* CHIRALITY (DIAGONAL)		PER ASME-Y14.5		DATE: 2-17-10			
* CHIRALITY (CIRCULAR)		PER ASME-Y14.5		DATE: 2-17-10			
* CHIRALITY (RECTANGULAR)		PER ASME-Y14.5		DATE: 2-17-10			
* CHIRALITY (DIAGONAL)		PER ASME-Y14.5		DATE: 2-17-10			
* CHIRALITY (CIRCULAR)		PER ASME-Y14.5		DATE: 2-17-10			
* CHIRALITY (RECTANGULAR)		PER ASME-Y14.5		DATE: 2-17-10			
* CHIRALITY (DIAGONAL)		PER ASME-Y14.5		DATE: 2-17-10			
* CHIRALITY (CIRCULAR)		PER ASME-Y14.5		DATE: 2-17-10			
* CHIRALITY (RECTANGULAR)		PER ASME-Y14.5		DATE: 2-17-10			
* CHIRALITY (DIAGONAL)		PER ASME-Y14.5		DATE: 2-17-10			
* CHIRALITY (CIRCULAR)		PER ASME-Y14.5		DATE: 2-17-10			
* CHIRALITY (RECTANGULAR)		PER ASME-Y14.5		DATE: 2-17-10			
* CHIRALITY (DIAGONAL)		PER ASME-Y14.5		DATE: 2-17-10			
* CHIRALITY (CIRCULAR)		PER ASME-Y14.5		DATE: 2-17-10			
* CHIRALITY (RECTANGULAR)		PER ASME-Y14.5		DATE: 2-17-10			
* CHIRALITY (DIAGONAL)		PER ASME-Y14.5		DATE: 2-17-10			
* CHIRALITY (CIRCULAR)		PER ASME-Y14.5		DATE: 2-17-10			
* CHIRALITY (RECTANGULAR)		PER ASME-Y14.5		DATE: 2-17-10			
* CHIRALITY (DIAGONAL)		PER ASME-Y14.5		DATE: 2-17-10			
* CHIRALITY (CIRCULAR)		PER ASME-Y14.5		DATE: 2-17-10			
* CHIRALITY (RECTANGULAR)		PER ASME-Y14.5		DATE: 2-17-10			
* CHIRALITY (DIAGONAL)		PER ASME-Y14.5		DATE: 2-17-10			
* CHIRALITY (CIRCULAR)		PER ASME-Y14.5		DATE: 2-17-10			
* CHIRALITY (RECTANGULAR)		PER ASME-Y14.5		DATE: 2-17-10			
* CHIRALITY (DIAGONAL)		PER ASME-Y14.5		DATE: 2-17-10			
* CHIRALITY (CIRCULAR)		PER ASME-Y14.5		DATE: 2-17-10			
* CHIRALITY (RECTANGULAR)		PER ASME-Y14.5		DATE: 2-17-10			
* CHIRALITY (DIAGONAL)		PER ASME-Y14.5		DATE: 2-17-10			
* CHIRALITY (CIRCULAR)		PER ASME-Y14.5		DATE: 2-17-10			
* CHIRALITY (RECTANGULAR)		PER ASME-Y14.5		DATE: 2-17-10			
* CHIRALITY (DIAGONAL)		PER ASME-Y14.5		DATE: 2-17-10			
* CHIRALITY (CIRCULAR)		PER ASME-Y14.5		DATE: 2-17-10			
* CHIRALITY (RECTANGULAR)		PER ASME-Y14.5		DATE: 2-17-10			
* CHIRALITY (DIAGONAL)		PER ASME-Y14.5		DATE: 2-17-10			
* CHIRALITY (CIRCULAR)		PER ASME-Y14.5		DATE: 2-17-10			
* CHIRALITY (RECTANGULAR)		PER ASME-Y14.5		DATE: 2-17-10			
* CHIRALITY (DIAGONAL)		PER ASME-Y14.5		DATE: 2-17-10			
* CHIRALITY (CIRCULAR)		PER ASME-Y14.5		DATE: 2-17-10			
* CHIRALITY (RECTANGULAR)		PER ASME-Y14.5		DATE: 2-17-10			
* CHIRALITY (DIAGONAL)		PER ASME-Y14.5		DATE: 2-17-10			
* CHIRALITY (CIRCULAR)		PER ASME-Y14.5		DATE: 2-17-10			
* CHIRALITY (RECTANGULAR)		PER ASME-Y14.5		DATE: 2-17-10			
* CHIRALITY (DIAGONAL)		PER ASME-Y14.5		DATE: 2-17-10			
* CHIRALITY (CIRCULAR)		PER ASME-Y14.5		DATE: 2-17-10			
* CHIRALITY (RECTANGULAR)		PER ASME-Y14.5		DATE: 2-17-10			
* CHIRALITY (DIAGONAL)		PER ASME-Y14.5		DATE: 2-17-10			
* CHIRALITY (CIRCULAR)		PER ASME-Y14.5		DATE: 2-17-10			
* CHIRALITY (RECTANGULAR)		PER ASME-Y14.5		DATE: 2-17-10			
* CHIRALITY (DIAGONAL)		PER ASME-Y14.5		DATE: 2-17-10			
* CHIRALITY (CIRCULAR)		PER ASME-Y14.5		DATE: 2-17-10			
* CHIRALITY (RECTANGULAR)		PER ASME-Y14.5		DATE: 2-17-10			
* CHIRALITY (DIAGONAL)		PER ASME-Y14.5		DATE: 2-17-10			
* CHIRALITY (CIRCULAR)		PER ASME-Y14.5		DATE: 2-17-10			
* CHIRALITY (RECTANGULAR)		PER ASME-Y14.5		DATE: 2-17-10			
* CHIRALITY (DIAGONAL)		PER ASME-Y14.5		DATE: 2-17-10			
* CHIRALITY (CIRCULAR)		PER ASME-Y14.5		DATE: 2-17-10			
* CHIRALITY (RECTANGULAR)		PER ASME-Y14.5		DATE: 2-17-10			
* CHIRALITY (DIAGONAL)		PER ASME-Y14.5		DATE: 2-17-10			
* CHIRALITY (CIRCULAR)		PER ASME-Y14.5		DATE: 2-17-10			
* CHIRALITY (RECTANGULAR)		PER ASME-Y14.5		DATE: 2-17-10			
* CHIRALITY (DIAGONAL)		PER ASME-Y14.5		DATE: 2-17-10			
* CHIRALITY (CIRCULAR)		PER ASME-Y14.5		DATE: 2-17-10			
* CHIRALITY (RECTANGULAR)		PER ASME-Y14.5		DATE: 2-17-10			
* CHIRALITY (DIAGONAL)		PER ASME-Y14.5		DATE: 2-17-10			
* CHIRALITY (CIRCULAR)		PER ASME-Y14.5		DATE: 2-17-10			
* CHIRALITY (RECTANGULAR)		PER ASME-Y14.5		DATE: 2-17-10			
* CHIRALITY (DIAGONAL)		PER ASME-Y14.5		DATE: 2-17-10			
* CHIRALITY (CIRCULAR)		PER ASME-Y14.5		DATE: 2-17-10			
* CHIRALITY (RECTANGULAR)		PER ASME-Y14.5		DATE: 2-17-10			
* CHIRALITY (DIAGONAL)		PER ASME-Y14.5		DATE: 2-17-10			
* CHIRALITY (CIRCULAR)		PER ASME-Y14.5		DATE: 2-17-10			
* CHIRALITY (RECTANGULAR)		PER ASME-Y14.5		DATE: 2-17-10			
* CHIRALITY (DIAGONAL)		PER ASME-Y14.5		DATE: 2-17-10			
* CHIRALITY (CIRCULAR)		PER ASME-Y14.5		DATE: 2-17-10			
* CHIRALITY (RECTANGULAR)		PER ASME-Y14.5		DATE: 2-17-10			
* CHIRALITY (DIAGONAL)		PER ASME-Y14.5		DATE: 2-17-10			
* CHIRALITY (CIRCULAR)		PER ASME-Y14.5					