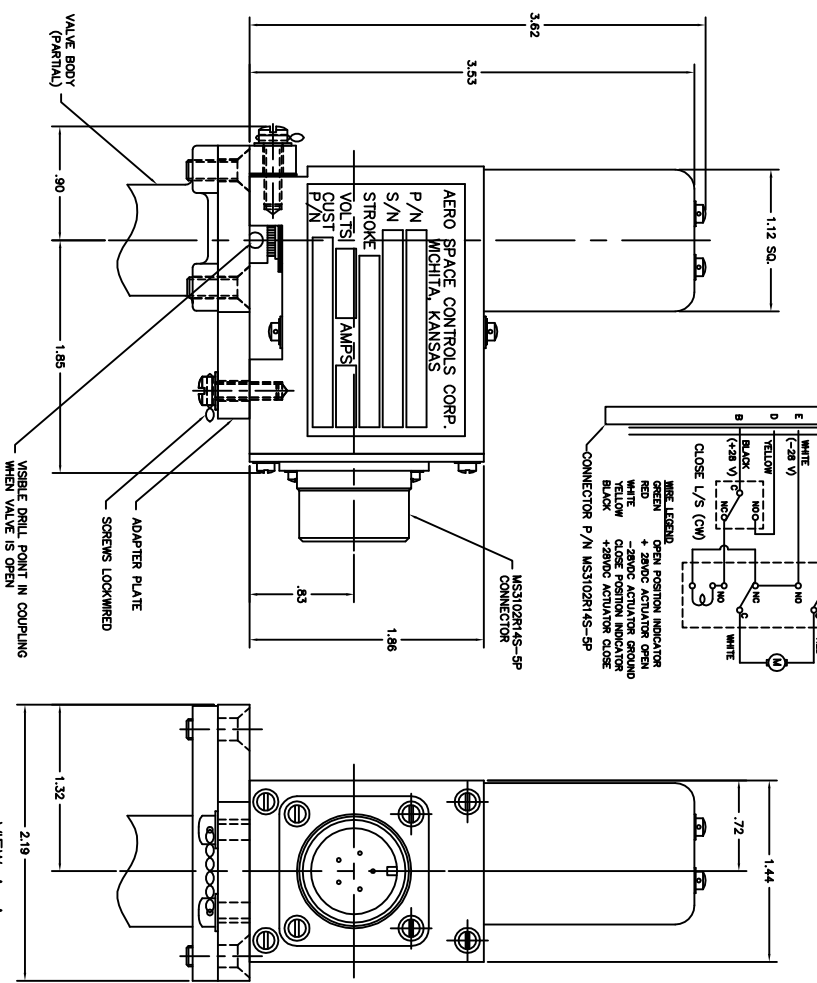


**NOTICE**  
 This drawing is a part of the proprietary data base of Aero Space Controls Corporation. It is the property of Aero Space Controls Corporation and is not to be reproduced, stored in a retrieval system, or transmitted in any form or by any means, electronic, mechanical, photocopying, recording, or by any information storage or retrieval system, without the prior written permission of Aero Space Controls Corporation.



**NOTES CONTINUED:**  
 7. VOLTAGE: 18-30 VOLTS  
 8. STALL CURRENT: 2.0 AMPS MAX.  
 9. RUNNING CURRENT: 4 AMPS MAX.  
 10. DUTY CYCLE: CONTINUOUS OR INTERMITTENT  
 11. TIMING FOR CYCLE (90°): 2-5 SECONDS  
 12. FLOWING MEDIA: BLEED AIR  
 13. AMBIENT OPERATING TEMPERATURE: -40F TO +160F

**VIEW 'B'**  
 SCALE: 2:1  
 - VIEWS ROTATED 15° CW FROM ASSEMBLY VIEW -

**VIEW 'C'**  
 SCALE: 2:1

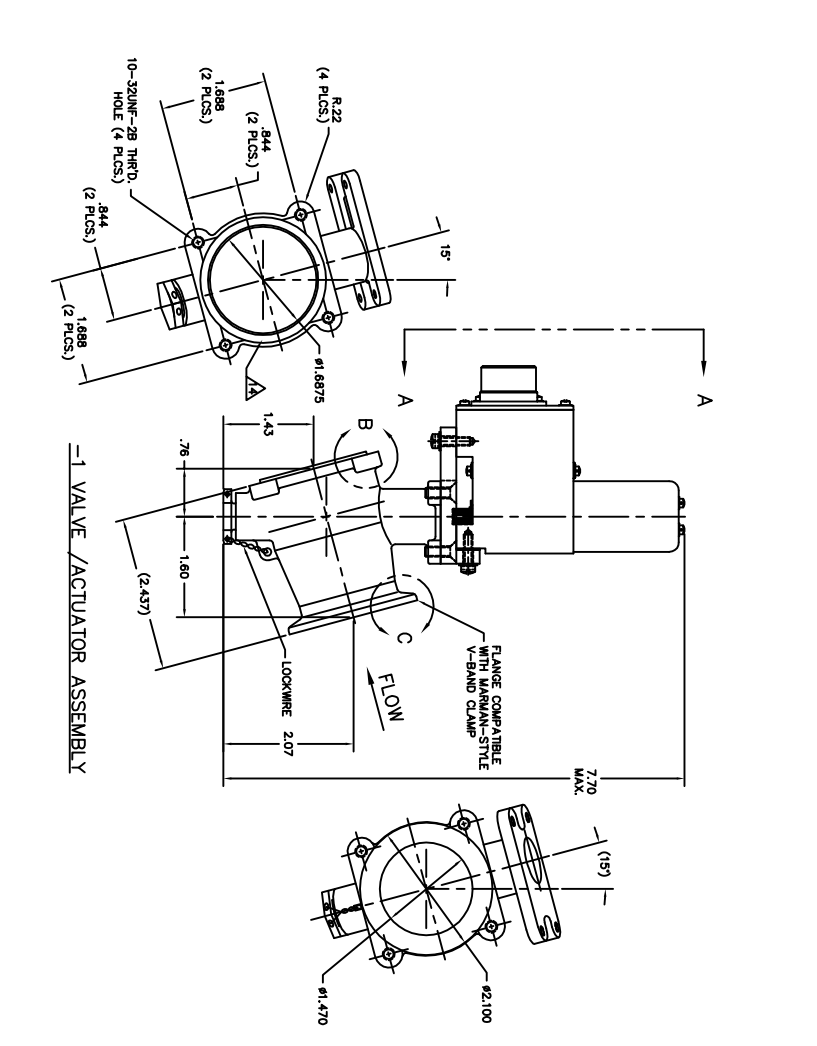
QTY.	ITEM SIZE	PART NUMBER	SHUTOFF VALVE ASSEMBLY	DESCRIPTION	MATERIAL	MAT'L SPEC.	FINISH	FINISH SPEC.
1								

DIMENSIONAL SYMBOLS PER ASME Y14.5		LIST OF MATERIALS		TITLE	
1. DIMENSIONS ARE IN INCHES - TOLERANCES ON HOLES	UNLESS OTHERWISE SPECIFIED	DR.	D. ORTH	DATE	2-17-06
2. SURFACE ROUGHNESS	10-32UMF-2B THRD. (2 PLS.)	CHK.			
3. HOLE (4 PLS.)	1.688	ENGR.			
4. INTERNAL RADI	1.688	APPD. S. AXTELL			
5. STRAIGHT SCREW MIL-S-7742	1.688				
6. ALL DIMENSIONS BEFORE FINISHING	1.688				

REVISIONS	C.O. NO.	REV.	REVISION DESCRIPTION	DATE	APPD.
1	ASCD251	A	UPDATE ELECTRICAL CONNECTOR PER 1619101-27	1-10-07	S.A.



SCALE: 1:1 UNIT: WT. LBS. SHF: 1 OF 1