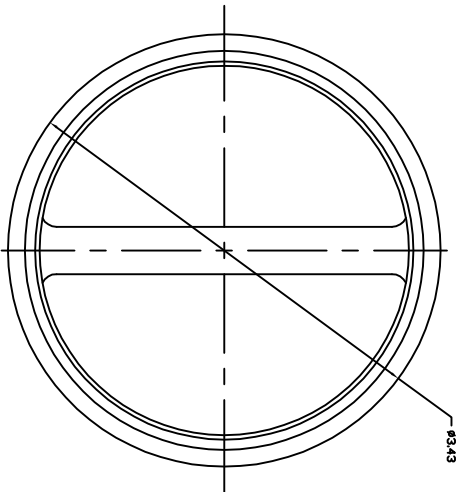
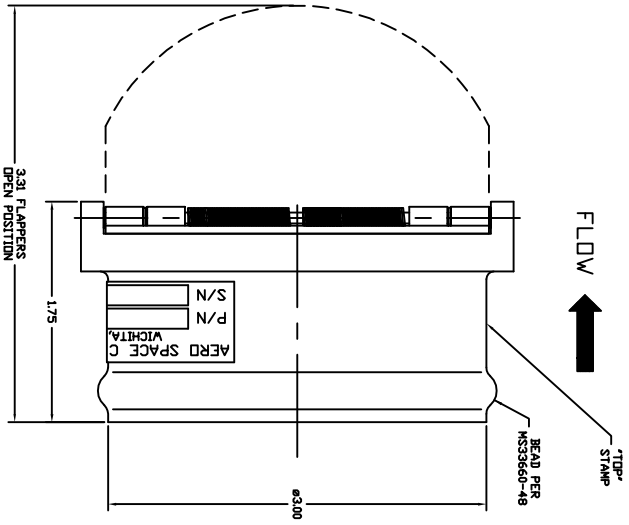
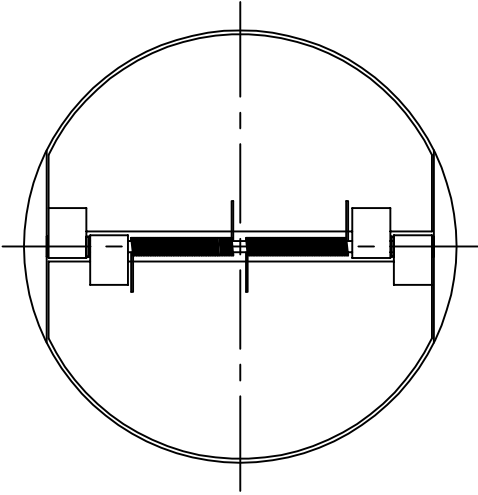


NOTICE
 This drawing is a part of the proprietary and/or confidential information of Aero Space Corporation. It is intended for use by Aero Space Corporation and its authorized personnel only. It is not to be distributed, copied, or used in any way without the prior written consent of Aero Space Corporation. Any unauthorized use or disclosure of this information is strictly prohibited.



-1 CONFIG.

REVISIONS			
CA. NO.	REV.	REVISION DESCRIPTION	DATE
ASC1997	A	PROVISIONALLY ADDED NAME-DATE & TOP STAMP	6-4-01
			D.S.

QTY	ITEM SIZE	DESCRIPTION	UNIT	DATE	APPROVED
1		3 IN. VALVE			

ITEM NO.	DESCRIPTION	QTY	UNIT
1	3 IN. VALVE	1	EA

NO.	DATE	BY	DESCRIPTION
1	6-4-01	D.S.	PROVISIONALLY ADDED NAME-DATE & TOP STAMP

NO.	DATE	BY	DESCRIPTION
1	6-4-01	D.S.	PROVISIONALLY ADDED NAME-DATE & TOP STAMP

NO.	DATE	BY	DESCRIPTION
1	6-4-01	D.S.	PROVISIONALLY ADDED NAME-DATE & TOP STAMP