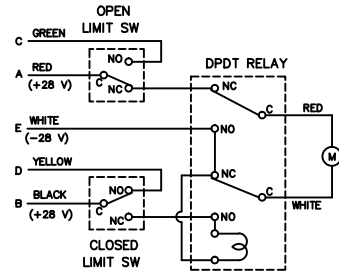
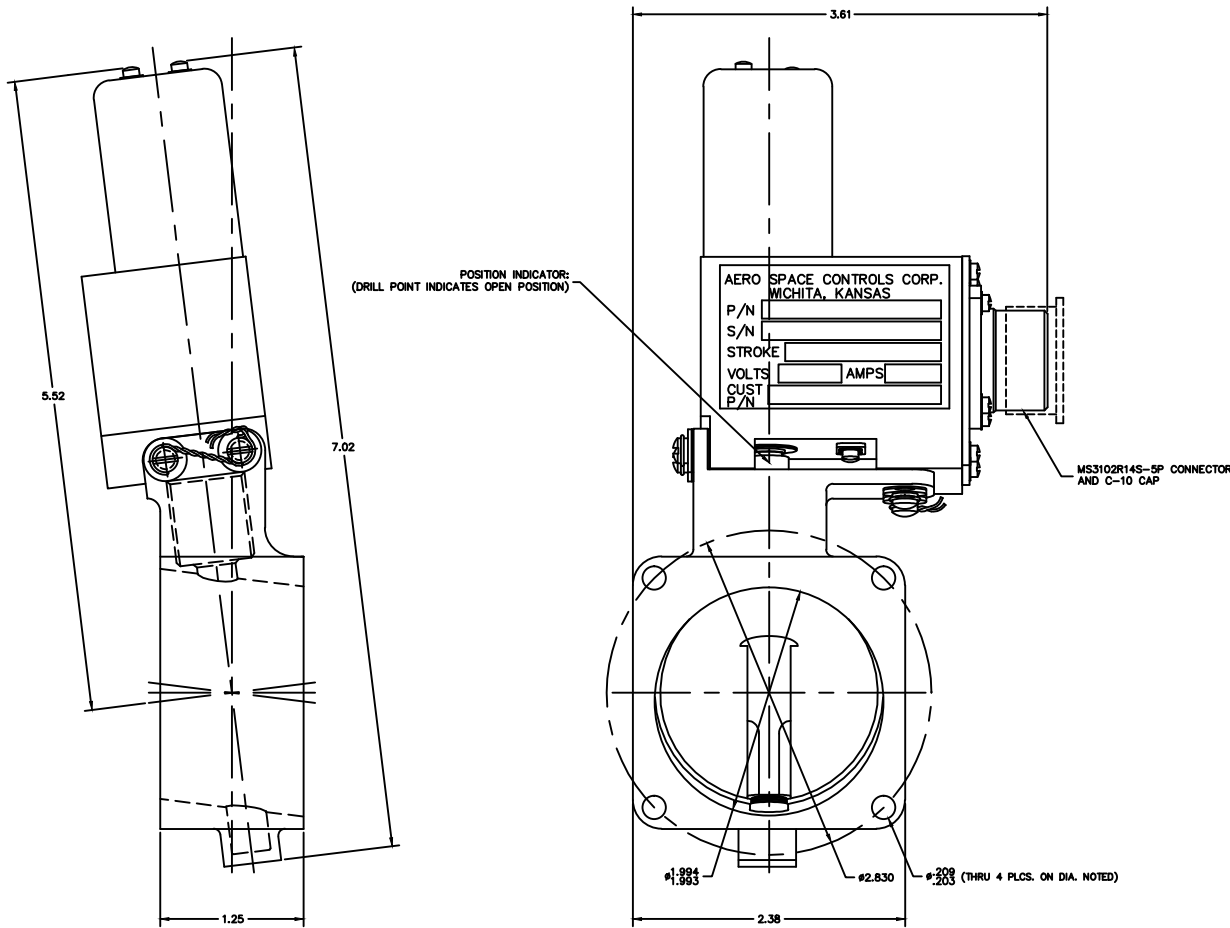


— NOTICE —
 This drawing is a part of the proprietary article therein disclosed and all design, manufacturing, reproduction, use, patent rights, and other rights regarding the same are expressly reserved by Aero Space Controls Corporation. Hence, it is submitted under a confidential relationship for a specific purpose and shall not be disclosed to any unauthorized person or incorporated in any other projects.

REVISIONS				
C.O. NO.	REV.	REVISION DESCRIPTION	DATE	APPD.
ASC4820	T	SEE SHEET 1 FOR REVISIONS	3-18-11	D.S.



ELECTRIC SCHEMATIC 1915T100-11
 SHOWN IN CLOSED POSITION

— FOR DRAFTING PURPOSES THIS SCHEMATIC HAS BEEN GROUPED —

NOTES CONTINUED:

- AMBIENT TEMPERATURE: -65°F TO 160°F
- VALVE DATA:
 OPERATING PRESSURE: 130 PSIG AT 550°F
 MAXIMUM LEAKAGE: .50 LB./MIN. AT 130 PSIG & 70°F (INTERNAL)
 .05 LB./MIN. AT 130 PSIG & 70°F (EXTERNAL)
- ACTUATOR DATA:
 VOLTAGE: 28 VDC
 STALL CURRENT: 1.0 AMP MAX.
 RUNNING CURRENT: .4 AMPS
 DUTY CYCLE: CONTINUOUS
 CYCLE TIME: 2-5 SEC. (FULL OPEN TO FULL CLOSE)
- UNIT LIFE: A MINIMUM OF 20,000 CYCLES AT STANDARD CONDITIONS
- LIMIT SWITCH TO CLOSE CIRCUIT 'AC' WHEN VALVE IS COMPLETELY OPEN AND LIMIT SWITCH TO CLOSE CIRCUIT 'BD' WHEN VALVE IS COMPLETELY CLOSED.
- MICROSWITCH RATING AT 28 VDC, SEA LEVEL:
 - INDUCTIVE: 3 AMP
 - RESISTIVE: 5 AMP
- SEE SHEET (1)
- SEE SHEET (1)
- SEE SHEET (4)
- THIS SHEET (6) DETAILS THE HIGH TEMPERATURE VALVE BODY OF THIS (-11) ASSEMBLY BEING MADE FROM 303 OR 304 STAINLESS STEEL OR 4140 STEEL.
- THE (-11) BLEED VALVE ASSEMBLY MAY BE MADE FROM (2) DIFFERENT VALVE BODY STYLES:
 - (1) FROM A CASTING (SEE SHEET 5)
 - (1) FROM MACHINED BAR STOCK (SEE NOTE 16)

SEE SHEET (9)

SEE SHEET (9)

-11 VALVE w/MACHINED BODY

QTY.		ITEM	SIZE	PART NUMBER	DESCRIPTION	NOTE #13	MATERIAL	MATL. SPEC.	FINISH	FINISH SPEC.
-11 BLEED AIR VALVE										
LIST OF MATERIALS										
DIMENSIONAL SYMBOLS PER ASME Y14.5										
UNLESS OTHERWISE SPECIFIED										
TOLERANCES ARE IN INCHES										
FRACTIONS & 1/4 ANGLES										
PER DEC. & 1/16 PER DEC. & 1/32										
DRILL HOLES ENGR.										
SURFACE FINISHES PER ASME Y14.3										
APPD. DON SIMON 12-2-04										
REMOVE BURRS & BREAK SHARP EDGES TO MAX. RADIUS										
ALL DIMENSIONS UNLESS OTHERWISE SPECIFIED										
INTERNAL RADI .005 TO .010										
THREADS PER ANSI B1.1-3-774										
TAPED PIPE ML-P-7108 DO NOT SCALE DRAWING										
SCALE 2:1										
UNIT WT. LIB. SHY 6 OF 9										
AERO SPACE CONTROLS CORPORATION WICHITA, KANSAS										
BLEED AIR VALVE										
CODE BENT NO. SIZE DWG NO. 1915T100										