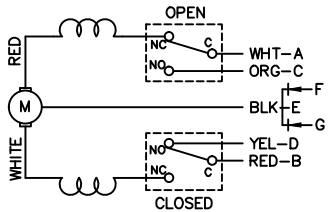


— NOTICE —  
 This drawing is a part of the proprietary article therein disclosed and all design, manufacturing, reproduction, use, patent rights, and other rights regarding the same are expressly reserved by Aero Space Controls Corporation. Hence, herein, it is submitted under a confidential relationship for a specific purpose and shall not be disclosed to any unauthorized person or incorporated in any other projects.

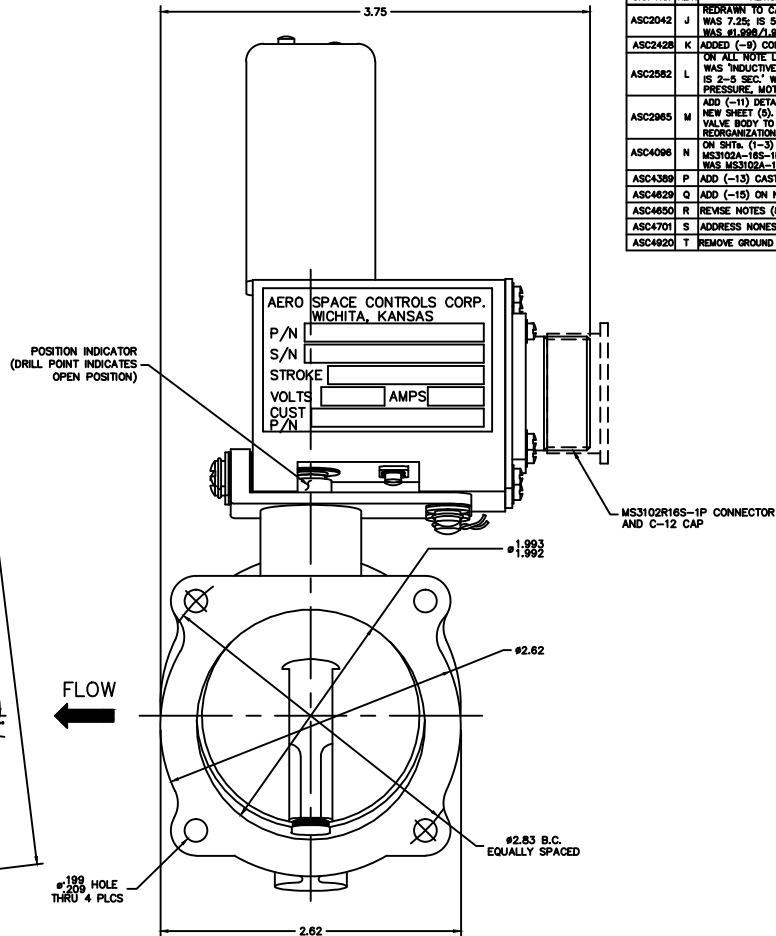
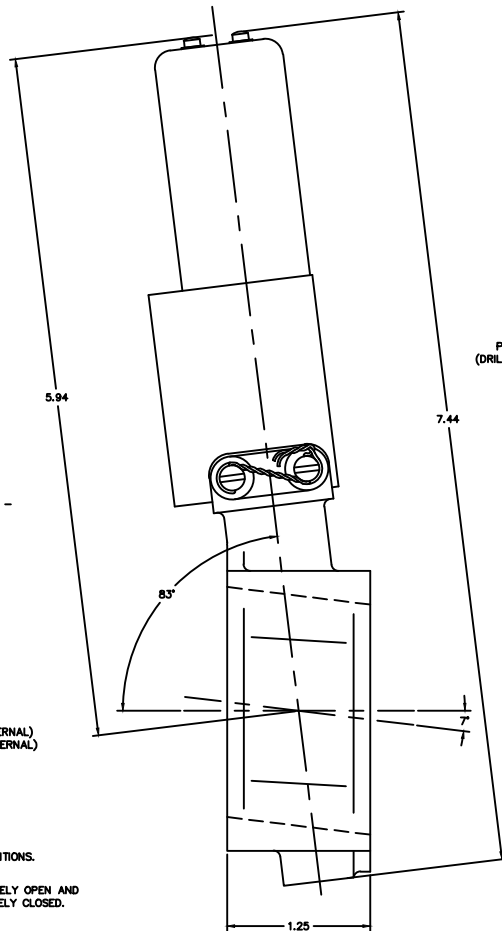


**ELECTRICAL SCHEMATIC**  
 SHOWN IN CLOSED POSITION

— FOR DRAFTING PURPOSES THIS SCHEMATIC HAS BEEN GROUPED —

NOTES CONTINUED:

7. AMBIENT TEMPERATURE: -40°F TO 160°F
8. VALVE DATA:  
 OPERATING PRESSURE: 130 PSIG AT 550°F  
 PROOF PRESSURE: 195 PSIG AT 550°F  
 MAXIMUM LEAKAGE: .50 LB./MIN. AT 130 PSIG AND 70°F (INTERNAL)  
 .05 LB./MIN. AT 130 PSIG AND 70°F (EXTERNAL)
9. ACTUATOR DATA:  
 VOLTAGE: 28 VDC  
 STALL CURRENT: 1.0 AMP MAX.  
 RUNNING CURRENT: .4 AMPS  
 DUTY CYCLE: CONTINUOUS  
 CYCLE TIME: 15-57 SEC. MAX. (FULL OPEN TO FULL CLOSE)
10. UNIT LIFE: A MINIMUM OF 20,000 CYCLES AT STANDARD CONDITIONS.
11. LIMIT SWITCH TO CLOSE CIRCUIT 'AC' WHEN VALVE IS COMPLETELY OPEN AND LIMIT SWITCH TO CLOSE CIRCUIT 'BD' WHEN VALVE IS COMPLETELY CLOSED.
12. MICROSWITCH RATING AT 28 VDC, SEA LEVEL:  
 - INDUCTIVE: 3 AMP  
 - RESISTIVE: 5 AMP
13. 1915T100-3 TO MEET OR EXCEED ALL ADDITIONAL REQUIREMENTS AS OUTLINED IN AERO COMMANDER DRAWING 880574-1.
14. HISTORICAL NOTE: THE (-3) IS IDENTICAL TO THE (-85C) AND (-1) EXCEPT THE (-3) HAS A ONE PIECE CAM SPLINED ONTO OUTPUT SHAFT AND REVISED SWITCH ADJUSTMENT.
15. SEE SHEET (4)
16. SEE SHEETS (5) AND (6) AS APPLICABLE AND SHEETS (7) AND (8) AS APPLICABLE
17. SEE SHEETS (5) AND (6) AS APPLICABLE AND SHEETS (7) AND (8) AS APPLICABLE
- SEE SHEET (9)
- SEE SHEET (9)



REVISIONS				
C.O. NO.	REV.	REVISION DESCRIPTION	DATE	APPD.
ASC2042	J	REWORK TO CAD, DIMENSION CHANGES IS 7.44 WAS 7.25; IS 5.94 WAS 5.65; IS #1.993/1.992 WAS #1.998/1.995.	1-31-02	D.S.
ASC2428	K	ADDED (-9) CONFIGURATION	4-25-03	D.S.
ASC2582	L	ON ALL NOTE LOCATIONS 'INDUCTIVE: 3 AMP' WAS 'INDUCTIVE: 2 AMP', FOR (-9); 'CYCLE TIME IS 2-5 SEC.' WAS '2-4 SEC.'; DELETED PROOF PRESSURE, MOTOR: 2 AMP, LAMP: 1 AMP.	7-10-03	D.S.
ASC2865	M	ADD (-11) DETAILING w/CASTING VALVE BODY TO NEW SHEET (5). ADD (-11) DETAILING w/MACHINED VALVE BODY TO NEW SHEET (6). SEE EDD FOR REORGANIZATION OF ALL NOTES BETWEEN ALL SHTS.	12-2-04	D.S.
ASC4096	H	ON SHTs. (1-3) CONNECTOR IS MS3102R16S-1P WAS MS3102A-16S-1P; SHTs. (4-6) IS MS3102R14S-5P WAS MS3102A-14S-5P	12-13-05	S.A.
ASC4389	P	ADD (-13) CASTING/MACHINING ON SHTS. (7), (8)	8-14-07	D.S.
ASC4629	Q	ADD (-15) ON NEW SHT. (9). ADD F/N (16), (19).	3-17-09	D.S.
ASC4650	R	REVISE NOTES (8), (9) FOR (-15) ON SHT. (9).	5-6-09	D.S.
ASC4701	S	ADDRESS NONESSENTIAL LOCKWIRE DETAILING	10-1-09	D.S.
ASC4920	T	REMOVE GROUND SYMBOL @ -3, -5, -7 SCHEMATICS	3-18-11	D.S.

-3-

-3-								
QTY	ITEM	SIZE	PART NUMBER	DESCRIPTION	MATERIAL	HWL. SPEC.	FINISH	FINISH SPEC.
UNLESS OTHERWISE SPECIFIED					LIST OF MATERIALS			
1. DIMENSIONS ARE IN INCHES					SIGNATURES			
2. FRACTIONS & 1/16" ANGLES TO DECIMALS IN					DR DANIEL SIMON 1-31-02			
3. SURFACE FINISH					DATE			
4. INTERNAL RADIUS .015 TO .015					AERO SPACE CONTROLS CORPORATION			
5. STRAIGHT SCREW INL-8-7442					MICHITA, KANSAS			
6. ALL DIMENSIONS UNLESS OTHERWISE SPECIFIED					TITLE			
7. ALL DIMENSIONS UNLESS OTHERWISE SPECIFIED					BLEED AIR VALVE			
8. ALL DIMENSIONS UNLESS OTHERWISE SPECIFIED					DATE			
9. ALL DIMENSIONS UNLESS OTHERWISE SPECIFIED					1915T100			
10. ALL DIMENSIONS UNLESS OTHERWISE SPECIFIED					SCALE 2:1			
11. ALL DIMENSIONS UNLESS OTHERWISE SPECIFIED					SHEET 1 OF 9			