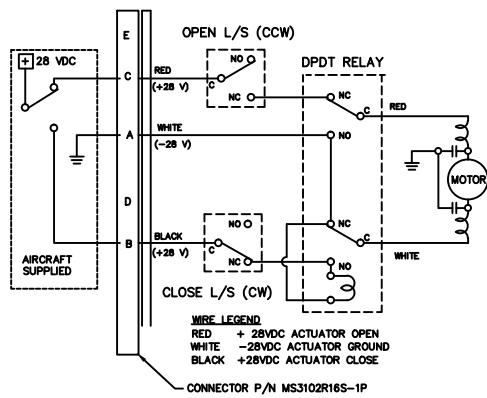


— NOTICE —  
 This drawing is a part of the proprietary article therein disclosed and all design, manufacturing, reproduction, use, patent rights, and other rights regarding the same are expressly reserved by Aero Space Controls Corporation. Hence, it is submitted under a confidential relationship for a specific purpose and shall not be disclosed to any unauthorized person or incorporated in any other projects.

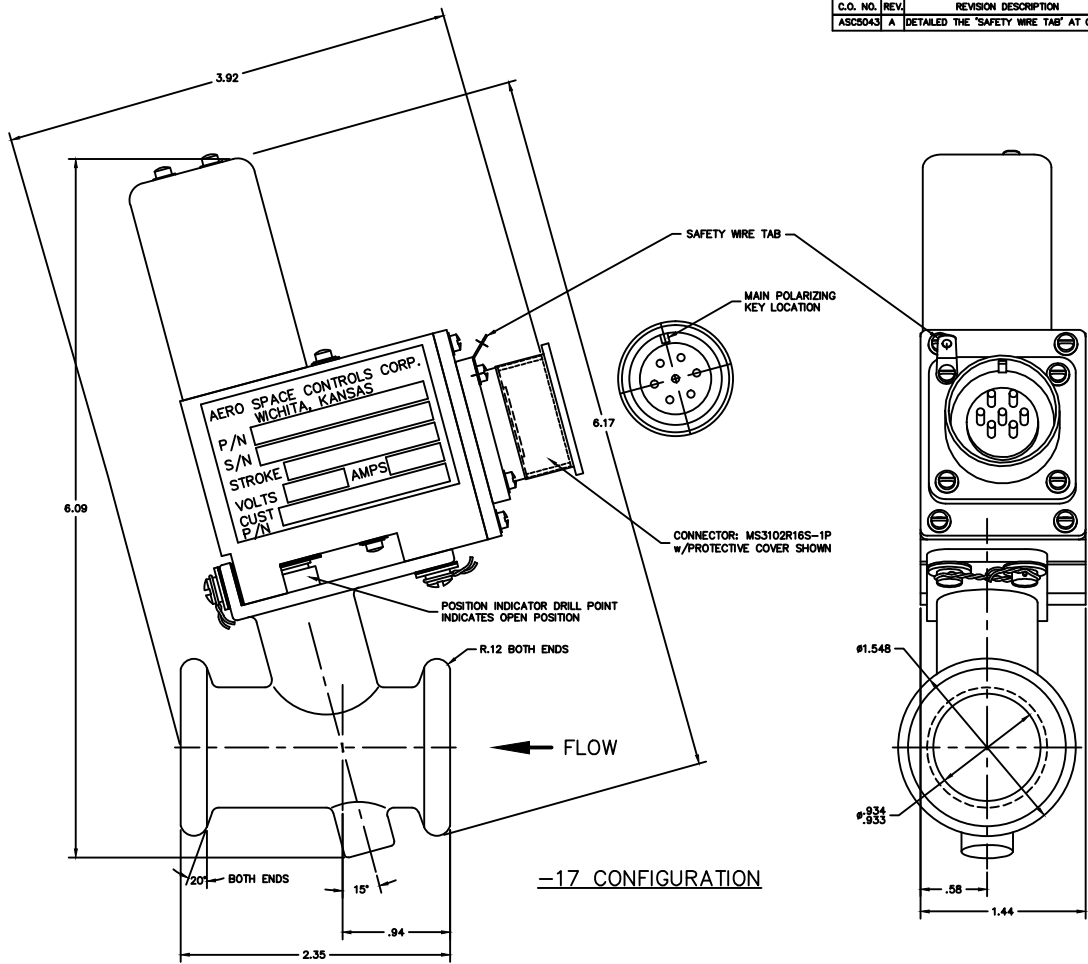
REVISIONS				
C.O. NO.	REV.	REVISION DESCRIPTION	DATE	APPD.
ASCS043	A	DETAILED THE "SAFETY WIRE TAB" AT CONNECTOR	11-30-11	D.S.



**ELECTRICAL SCHEMATIC**

—SCHEMATIC SHOWN IN FULL OPEN POSITION—

— FOR DRAFTING PURPOSES THIS SCHEMATIC HAS BEEN GROUPED —



VALVE DATA		CONFIGURATION
		-17
MAX OPERATING PRESSURE:	115 PSIA AT 550°F	
PROOF PRESSURE:	175 PSIA AT 550°F	
BURST PRESSURE:	200 PSIA AT 550°F	
MAX EXTERNAL LEAKAGE:	.04 LB/MIN AT 115 PSIG & 70°F	
MAX INTERNAL LEAKAGE:	.35 LB/MIN AT 115 PSIG & 70°F	
MAX PRESSURE DROP:	1.0 PSI WITH 5 LB/MIN FLOW AT 440°F & 50 PSIA	
ACTUATOR DATA		
VOLTAGE:	18-30 VOLTS	
STALL CURRENT:	2.0 AMPS MAX.	
RUNNING CURRENT:	.6 AMPS MAX.	
DUTY CYCLE:	INTERMITTENT	
TIMING PER STROKE: 90°	30 ± 5 SEC. AT 28 VDC	

NOTE: FOR DRAFTING PURPOSES THIS CHART HAS BEEN GROUPED

NOTES CONTINUED:

7. AMBIENT TEMPERATURE: -85°F TO 160°F
8. UNIT LIFE: A MINIMUM OF 20,000 CYCLES AT STANDARD CONDITIONS.
9. WITH PIN 'A' CONNECTED TO -28V AND PIN 'B' CONNECTED TO +28V THE VALVE WILL CLOSE OR WITH +28V CONNECTED TO PIN 'C' THE VALVE WILL OPEN
10. MICROSWITCH RATING:  
 MOTOR.....2 AMP  
 INDUCTIVE.....2 AMP  
 RESISTIVE.....5 AMP  
 LAMP.....1 AMP
11. FOR THE TOP LEVEL 'ASC' ASSEMBLY DRAWING SEE 1914101-17

QTY. ITEM SIZE		PART NUMBER	DESCRIPTION	MATERIAL	MATL. SPEC.	FINISH	FINISH SPEC.
-17 VALVE							
DIMENSIONAL SYMBOLS PER ASME Y14.5				LIST OF MATERIALS			
✓	FLATNESS	1. UNLESS OTHERWISE SPECIFIED	FINISHES	DATE	AERO SPACE CONTROLS CORPORATION WICHITA, KANSAS		
—	STRAIGHTNESS	TOLERANCES ARE IN INCHES	D. D. ORTH	8-13-11	TITLE		
∠	ANGULARITY	FRACTIONS & 1/4 ANGLES	CHK.		BLEED AIR SHUTOFF VALVE		
⊥	PERPENDICULARITY	2X DRG. 3.000 DRILL HOLES	ENGR.		DRAWING NO. 1914T100-17		
∥	PARALLELISM	2X DRG. 8-000 DRILL HOLES			SCALE 2:1		
⊙	CONCENTRICITY	2X SURFACE TROUSERS PER HOLE #4-11	APPD. DON SIMON	9-13-11	DWG NO. 1914T100-17		
⊕	TRUE POSITION	2X REMOVE BURRS & BREAK SHARP EDGES WITH MAX. RADIUS			UNIT WT. LIB. BRT 1 OF 1		
⊖	CIRCULARITY (ROUNDNESS)	4. INTERNAL RADI .000 TO .010			DO NOT SCALE DRAWING		
⊗	SYMMETRY	THREADS					
⊙	ROUNDNESS (ROUNDNESS)	6. ALL DIMENSIONS BEFORE PLATING					
⊙	MAX. MATERIAL REMOVAL CONDITION	8. STRAIGHT EDGE ML-3-746 TAPERED PIPE ML-P-7108					
⊙	(P/S) REGARDLESS OF FEATURE SIZE						