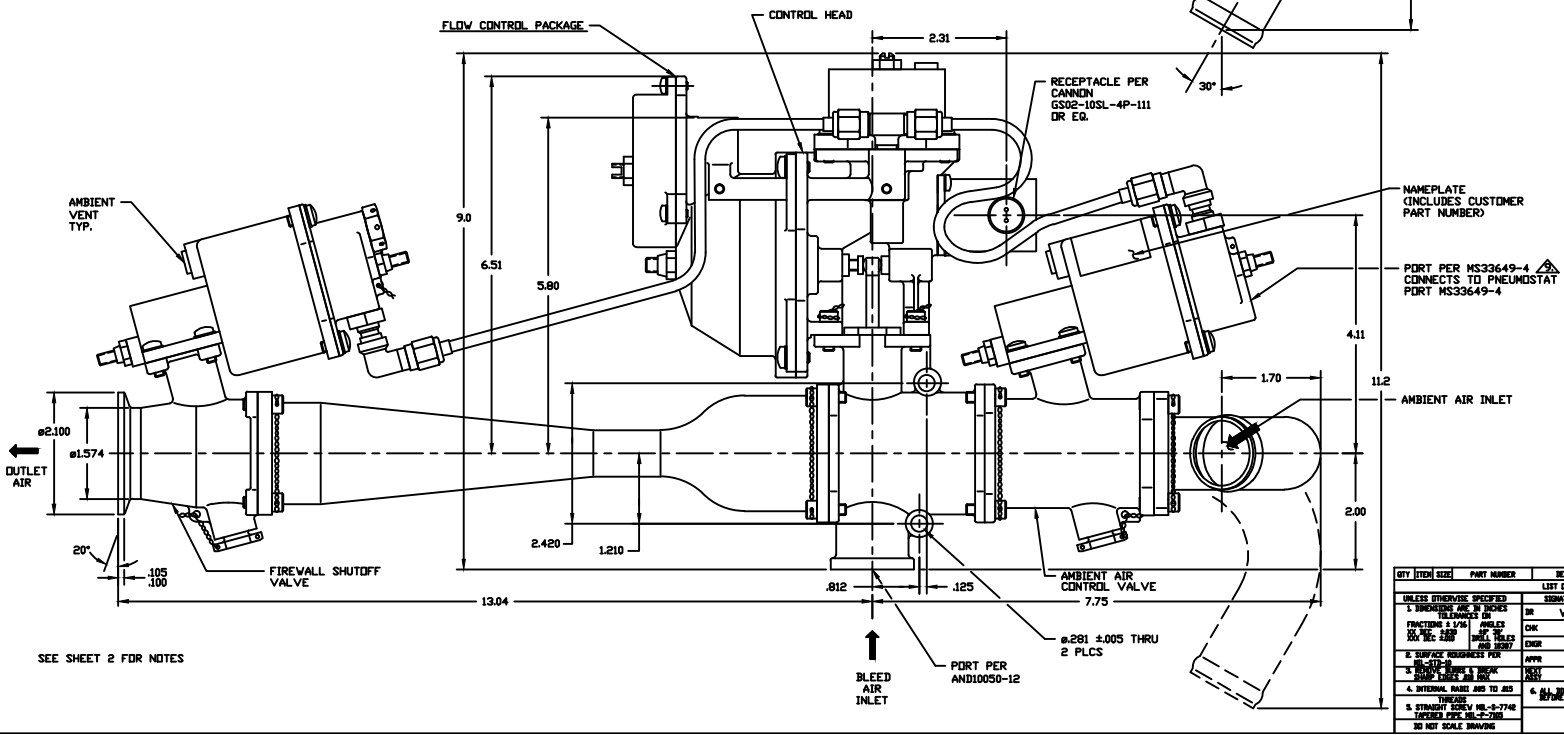
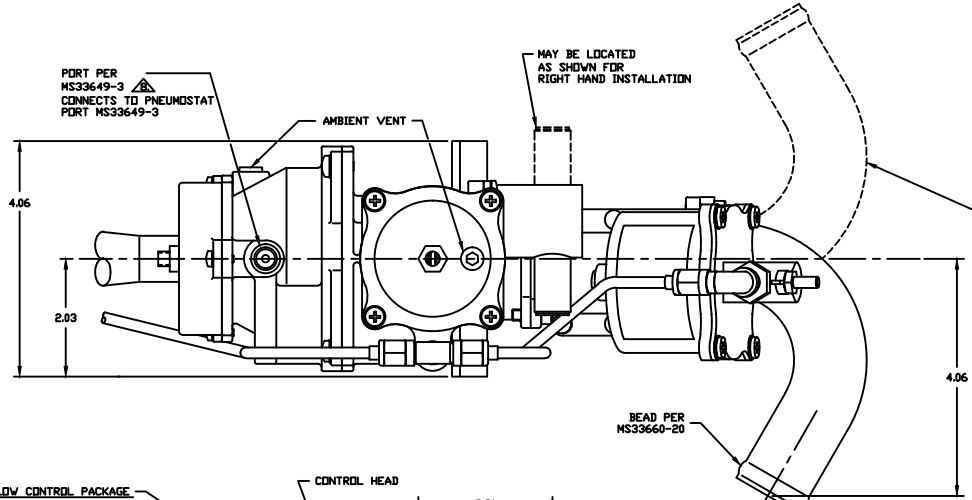


- NOTICE -  
 This drawing is a part of the proprietary article therein disclosed and all design, manufacturing, reproduction, use, patent rights, and sales rights regarding the same are expressly reserved by Aero Space Control Corporation, Wichita, Kansas. It is submitted under a confidential relationship for a specific purpose and shall not be disclosed to any unauthorized person or incorporated in any other projects.

| REVISIONS |      |   |         |       |
|-----------|------|---|---------|-------|
| CD. NO.   | REV. | REVISION DESCRIPTION                    | DATE    | APPD. |
| 756       | L    | SEE ECO FOR REVISIONS                   | 8-12-97 | D.S.  |
| ASC1748   | M    | ADDED 9.0 AND 11.2 DIMENSIONS           | 12-6-00 | D.S.  |
| ASC4665   | N    | ADDED ELECTRICAL SCHEMATIC TO SHEET C1) | 6-8-09  | D.S.  |

**ELECTRICAL SCHEMATIC**  
 (ELECTRICAL SOLENOID NORMALLY CLOSED)



| QTY  | ITEM SIZE | PART NUMBER | DESCRIPTION | MATERIAL                        | MATL. SPEC. | FINISH | FINISH SPEC. |
|--|-----------|-------------|-------------|---------------------------------|-------------|--------|--------------|
| UNLESS OTHERWISE SPECIFIED                             |           |             |             |                                 |             |        |              |
| DIMENSIONS ARE IN INCHES                               |           |             |             |                                 |             |        |              |
| TOLERANCES UNLESS OTHERWISE SPECIFIED                  |           |             |             |                                 |             |        |              |
| FRACTIONS & 1/16" ANGLES                               |           |             |             |                                 |             |        |              |
| 10 DEC. 2000 100% TOLERANCE                            |           |             |             |                                 |             |        |              |
| DEC. 2000 100% TOLERANCE                               |           |             |             |                                 |             |        |              |
| E. SURFACE FINISHES PER                                |           |             |             |                                 |             |        |              |
| AS SPECIFIED   |           |             |             |                                 |             |        |              |
| F. DIMENSIONS ARE TO CENTER UNLESS OTHERWISE SPECIFIED |           |             |             |                                 |             |        |              |
| G. INTERNAL RADIUS AND TO ANG                          |           |             |             |                                 |             |        |              |
| H. STANDARD SYMBOLS ARE TO 2748                        |           |             |             |                                 |             |        |              |
| TOLERANCE SPEC. MIL-C-2748                             |           |             |             |                                 |             |        |              |
| NO NET SCALE DRAWING                                   |           |             |             |                                 |             |        |              |
| LIST OF MATERIALS                                      |           |             |             | DATE                            |             |        |              |
| MR. V.C.   |           |             |             | 1-72                            |             |        |              |
| TITLE  |           |             |             | AERO SPACE CONTROLS CORPORATION |             |        |              |
| TITLE  |           |             |             | WICHITA, KANSAS                 |             |        |              |
| TITLE  |           |             |             | FLOW CONTROL SYSTEM             |             |        |              |
| TITLE  |           |             |             | DRAWING NO.                     |             |        |              |
| TITLE  |           |             |             | D 1520T100                      |             |        |              |
| SCALE  |           |             |             | 1:1                             |             |        |              |
| UNIT   |           |             |             | VT                              |             |        |              |
| LBS  |           |             |             | 1                               |             |        |              |
| SHEET  |           |             |             | 1                               |             |        |              |
| OF   |           |             |             | 2                               |             |        |              |