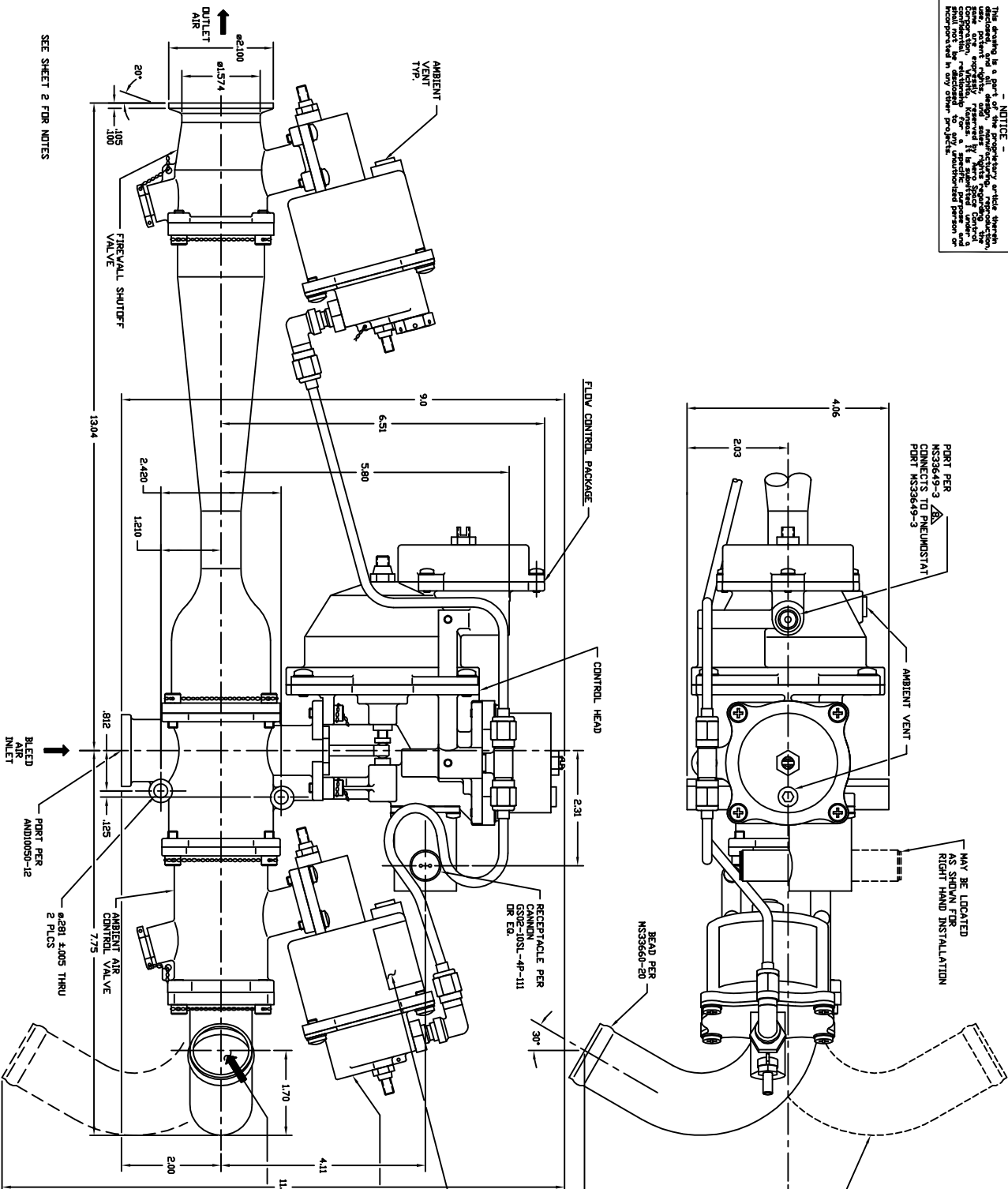


**NOTICE**  
 This drawing is a part of the proprietary and/or patented design of the manufacturer. It is not to be reproduced, copied, or used in any way without the express written consent of the manufacturer. The manufacturer shall not be held responsible for any unauthorized person or firm's use of this drawing in any other project.



SEE SHEET 2 FOR NOTES

QTY	ITEM SIZE	PART NUMBER	DESCRIPTION	MATERIAL	UNIT	FINISH	FINISH SPEC.
1	ASSEMBLY		FLOW CONTROL SYSTEM				
1	NAMEPLATE		INCLUDES CUSTOMER PART NUMBER				
1	PORT PER MS33649-4		CONNECTS TO PNEUMOSTAT PART MS33649-4				
1	BEAD PER MS33649-20						
1	AMBIENT AIR CONTROL VALVE						
1	PORT PER AND10009-12						
1	BLEED AIR INLET						
1	AMBIENT AIR INLET						
1	CONTROL HEAD						
1	FLOW CONTROL PACKAGE						
1	FIREWALL SHUTOFF VALVE						
1	AMBIENT VENT TYP.						

REV.	DESCRIPTION	DATE	APP'D.
756	REVISED FOR REVISIONS 8-12-97	11.5	
AS0748	REVISED 90 & 112 DIMS	12-6-00	J.S.

**FLOW CONTROL SYSTEM**

SCALE: 1:1

DATE: 1520T100

REV: 1 OF 2