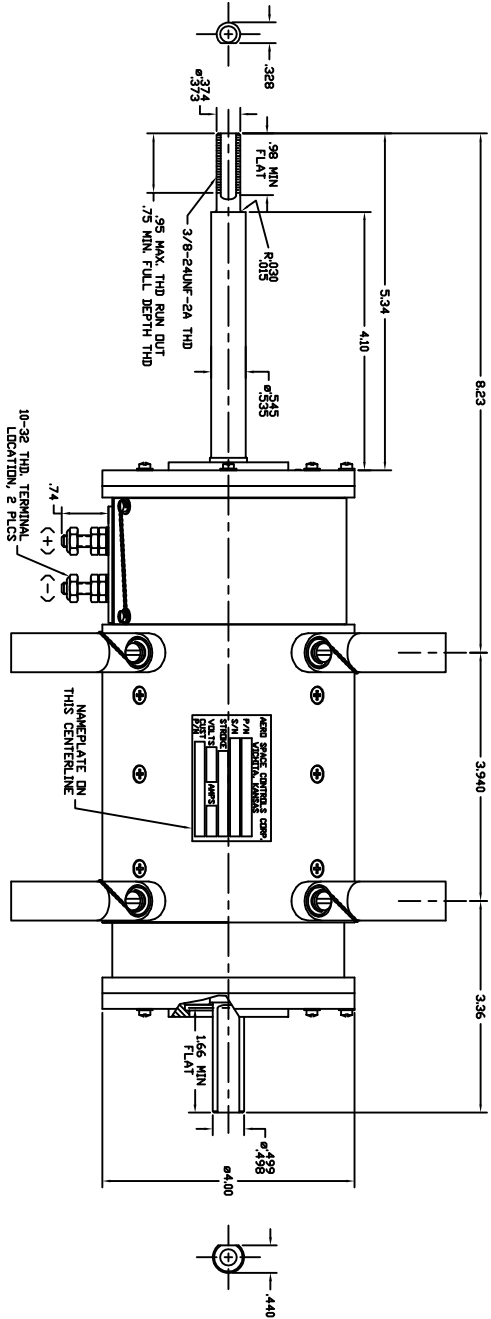
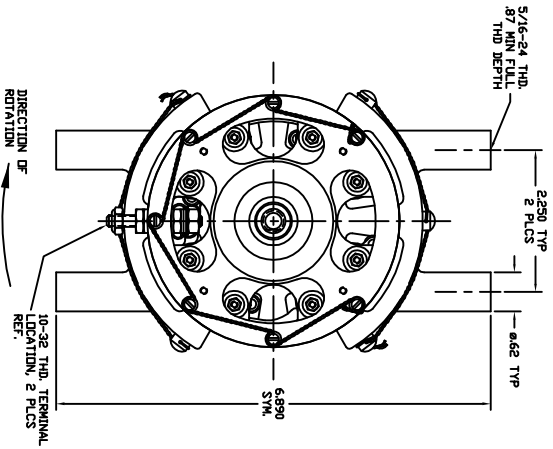


NOTICE - This drawing is a part of the proprietary and/or technical information of Aero Space Controls Corporation, and its content, design, and/or data is the property of Aero Space Controls Corporation. It is intended that the information contained herein shall not be disclosed to any unauthorized person or organization in any form.

MOTOR CHARACTERISTICS -5	
1. SPECIFICATION	MIL-H-8609
2. VOLTAGE NOMINAL	27
3. VOLTAGE RANGE	24-30
4. VOLTAGE REDUCED	24
5. PHASE & CYCLE	D.C.
6. RATED AMPERES	79
7. MAX. AMPS - STALL	2789 IN-LB
8. RATED TORQUE OZ-IN	
9. STALL TORQUE IN-LB	
10. SPECIAL TORQUE	
11. SPEED-RATED RPM	5900 RPM
12. ROTATION	SL TO 2000 FT
13. OPERATING ALTITUDE	-30°F TO +130°F
14. AMBIENT TEMP.	
15. SPECIAL TEMP.	
16. RADIO NOISE FILTER	
17. THERMAL PROTECTION	
18. OIL PROOF	
19. EXCLUSION PROOF	
20. BRAKE (STOPS)	
21. BRAKE (START)	
22. CLUTCH-BRAKE	
23. CLUTCH	
24. LIFE	500 HRS
25. DUTY CYCLE	CONTINUOUS
26. WEIGHT	15.7 LBS
27.	



-5 ASSY

NOTES CONT'D.

7. OPERATING AMBIENT TEMP. -30° TO +130°F
8. TIME BETWEEN OVERHAUL: 500 HOURS OF OPERATION
9. MOTOR TO DRIVE FAN DELIVERING 650 CFM AT 4200 RPM, FAN NOT FURNISHED WITH MOTOR, (-1 ONLY)
10. DUTY CYCLE: CONTINUOUS
11. THE KSH9-3 MOTOR IS INTERCHANGEABLE WITH THE 1523422-1 MOTOR WHICH IT REPLACES.
12. HORSEPOWER RATING -3 IS 1.8 HP -5 IS 2.3 HP

REVISIONS				
CDL NO.	REV	REVISION DESCRIPTION	DATE	APP'D
ASCD05	J	SEE SHEET 1 FOR REVISIONS	2-4-02	D.S.

DTI	ITEM SIZE	PART NUMBER	DESCRIPTION	LIST OF MATERIALS	DATE	MINI. SPEC.	FINISH	FINISH SPEC.
		-5						

INDEX	NEXT ASSY. USED IN	APPROVALS
-5	FINAL	
-3	FINAL	
-1	FINAL	

DESIGN	DATE	DESCRIPTION	SCALE	APP'D
			1:1	

REVISIONS	DATE	APP'D

CDL NO.	REV	REVISION DESCRIPTION	DATE	APP'D
ASCD05	J	SEE SHEET 1 FOR REVISIONS	2-4-02	D.S.