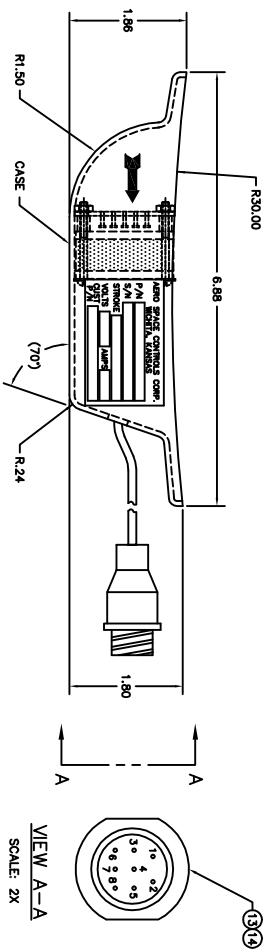
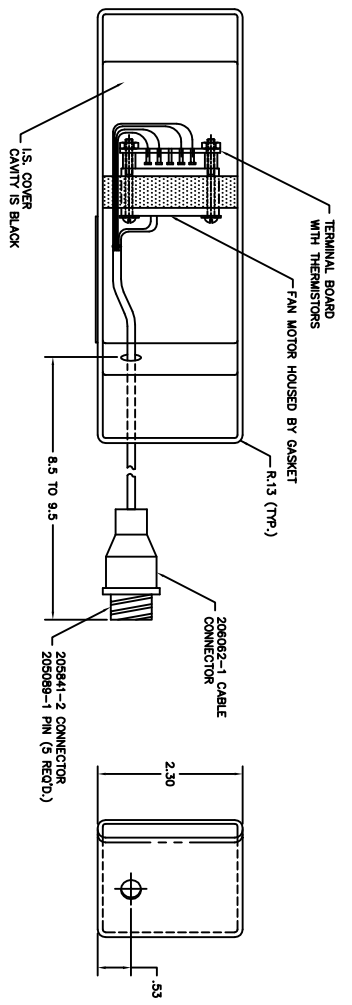


NOTICE
 This drawing is a part of the proprietary data base of the Boeing Company and is not to be distributed, copied, or reproduced in any form without the express written permission of the Boeing Company. This drawing is the property of the Boeing Company and is not to be distributed, copied, or reproduced in any form without the express written permission of the Boeing Company.



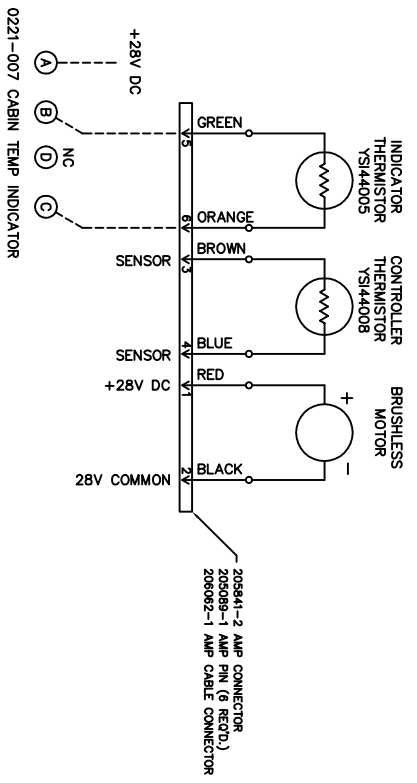
-9 CABIN TEMPERATURE SENSOR

- NOTES CONTINUED:
 7. VOLTAGE: 28 VDC
 8. CURRENT: .2 AMPS
 9. WEIGHT: 5 OZ.
 10. PLACE INSPECTION STAMPS ON INSIDE OF HOUSING

PARAMETERS (TEMP VS RESISTANCE)

| TEMP °F | PINS 3 & 4 RESISTANCE OHMS | PINS 2 & 5 RESISTANCE OHMS |
|---------|----------------------------|----------------------------|
| 68 | 37300 | 3748 |
| 69.8 | 35700 | 3583 |
| 71.6 | 34170 | 3425 |
| 73.4 | 32710 | 3277 |
| 75.2 | 31320 | 3135 |
| 77 | 30000 | 3000 |

- FOR DRAFTING PURPOSE THIS CHART HAS BEEN GROUPED -



- FOR DRAFTING PURPOSES THIS SCHEMATIC DIAGRAM HAS BEEN GROUPED -

REVISIONS

| C.O. NO. | REV. | REVISION DESCRIPTION | DATE | APP'D. |
|----------|------|--|---------|--------|
| AS03010 | 0 | DETAIL NAMEPLATE/ARROW TO THE SIDE OF THE COVER. CONVERTED TO SHEET 1 OF 1. SEE E.O. | 2-14-08 | U.S. |

| REV. | REV. DATE | REV. DESCRIPTION | PART NUMBER | MATERIAL | QTY. | UNIT | DATE | APP'D. |
|------|-----------|------------------|-------------|----------|------|------|----------|--------|
| 1 | 10-15-83 | AS03010 | AS03010 | ALUMINUM | 1 | PC | 10-15-83 | U.S. |

| DESCRIPTION | DATE | BY | CHK. |
|---------------------------|----------|--------------|------|
| DESIGNED BY: J. L. LAMBER | 10-15-83 | J. L. LAMBER | CHK. |
| DRAWN BY: J. L. LAMBER | 10-15-83 | J. L. LAMBER | CHK. |
| ENGINEER: J. L. LAMBER | 10-15-83 | J. L. LAMBER | CHK. |
| INSPECTOR: J. L. LAMBER | 10-15-83 | J. L. LAMBER | CHK. |

| ITEM NO. | DESCRIPTION | QTY. | UNIT | DATE |
|----------|-------------|------|------|----------|
| 1 | AS03010 | 1 | PC | 10-15-83 |

| REV. | REV. DATE | REV. DESCRIPTION |
|------|-----------|------------------|
| 1 | 10-15-83 | AS03010 |

| REV. | REV. DATE | REV. DESCRIPTION |
|------|-----------|------------------|
| 1 | 10-15-83 | AS03010 |