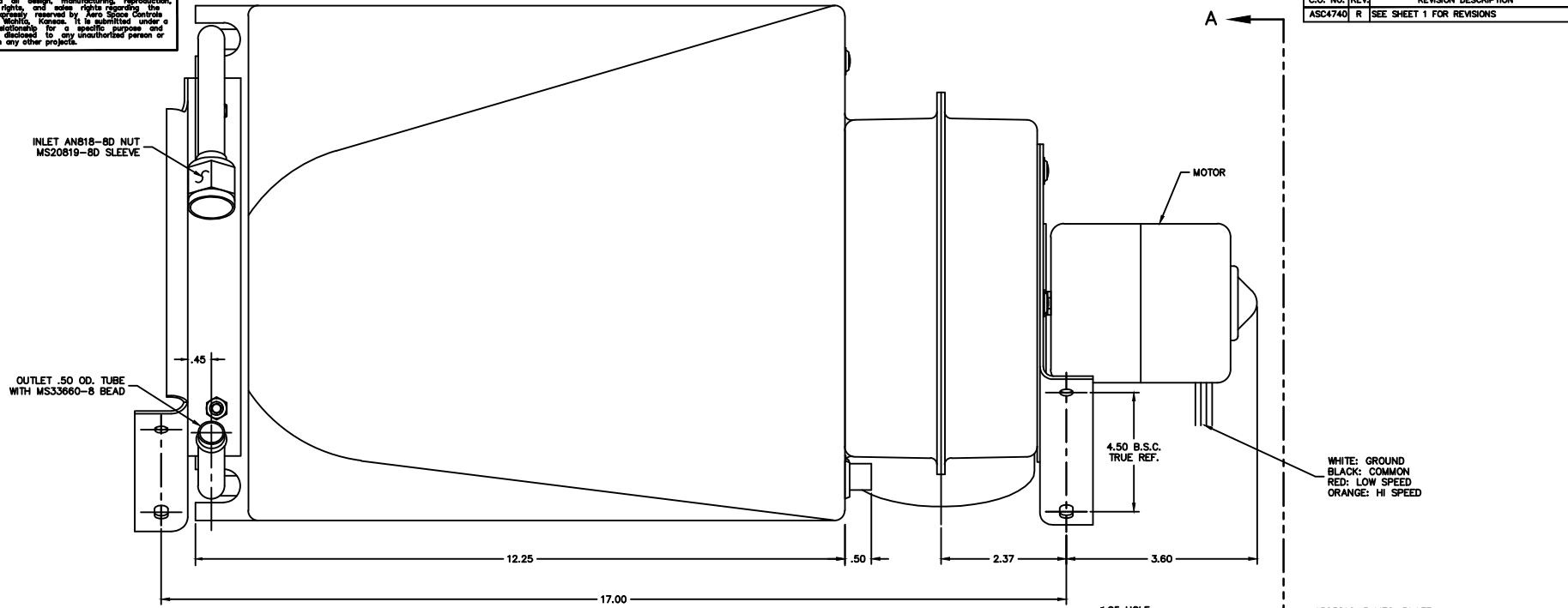


**- NOTICE -**  
 This drawing is a part of the proprietary article therein disclosed, and all design, manufacturing, reproduction, use, patent rights, and other rights regarding the same are expressly reserved by Aero Space Controls Corporation, Wichita, Kansas. It is submitted under a confidential relationship for a specific purpose and shall not be disclosed to any unauthorized person or incorporated in any other projects.

REVISIONS				
C.O. NO.	REV.	REVISION DESCRIPTION	DATE	APPD.
ASC4740	R	SEE SHEET 1 FOR REVISIONS	2-10-10	D.S.



-31 EVAPORATOR MODULE  
 -35 EVAPORATOR MODULE

NOTES (2-9) CONTINUED AS APPLICABLE FOR THE -31 AND -35 CONFIGURATIONS:

- COOLING CAPACITY 16,000 BTU/HR WITH FREON FLOW OF 370 LB/HR., AIR FLOW OF 300 CFM AND EXPANSION VALVE SET AT 55 PSIG.
- N/A
- BLOWER CAPACITY: TWO SPEED. 350 CFM AT 0.5 IN H2O BACK PRESSURE ON HIGH SPEED. LOW SPEED IS APPROXIMATELY 50% OF HIGH SPEED.
- ELECTRICAL POWER: 28 V.D.C. FOR THE -31 AND -35 CONFIGURATIONS
- COMPONENT RELIABILITY LEVEL IN ACCORDANCE WITH BEECH S.C.D. 36-380027 OR 36-380088
- WEIGHT BREAKDOWN:  
 -1 & -9 EVAPORATOR MODULE: 14 LBS. 6 OZ.  
 -3 COVER ASSEMBLY 8 OZ.  
 -5 DUCT ASSEMBLY 10 OZ.  
 -7 DUCT ASSEMBLY 11 OZ.  
 TOTAL 16 LBS. 3 OZ.

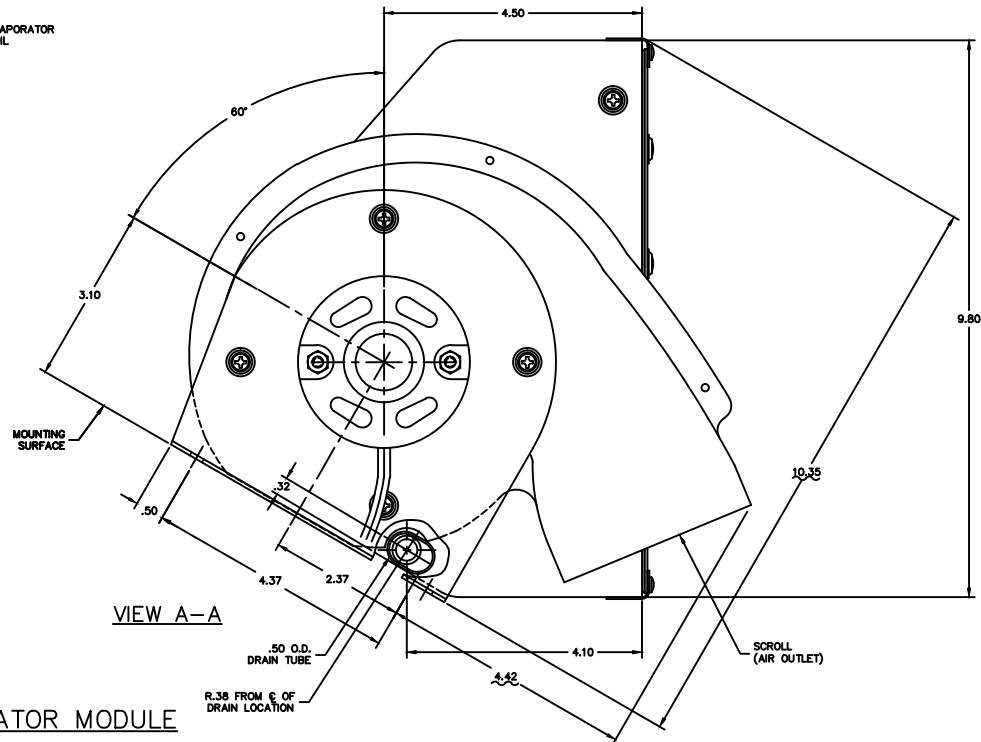
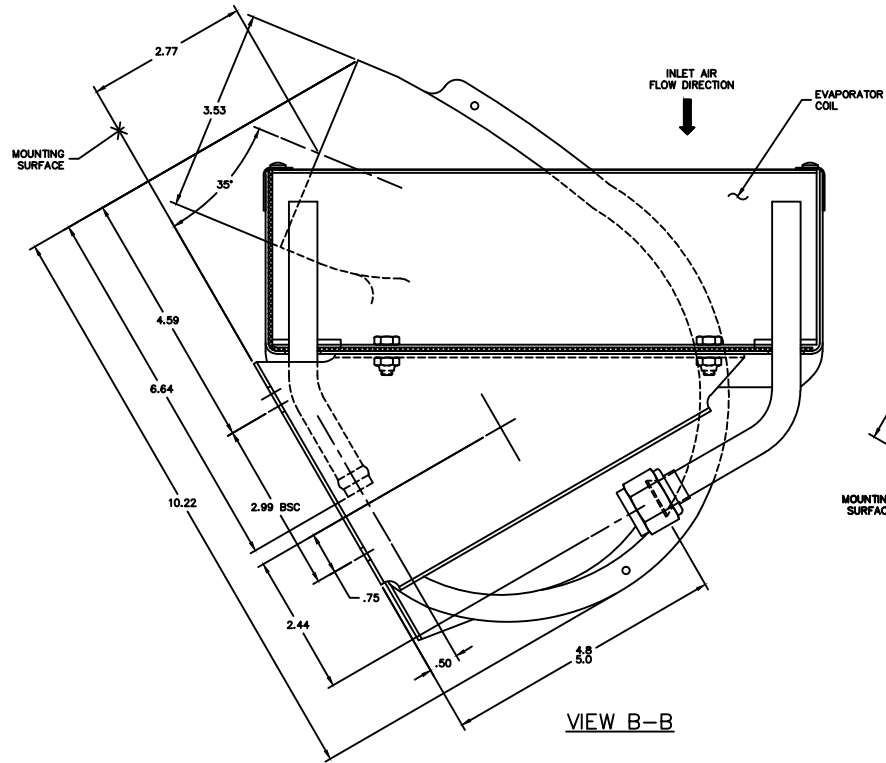
THE DISPLAYED PLAN VIEW IS CORRECT FOR THE USE OF THE CURRENT 1523811-3 AND 1523812-3 BRACKETS THAT HAVE REPLACED THE PREVIOUS 'BSC' 1523811 AND 1523812 DEPLETED BRACKETS.

THE 1523800-35 CONFIGURATION IS THE SAME AS THE 1523800-31 CONFIGURATION WITH THE FOLLOWING EXCEPTIONS:  
 -THE COIL TUBE AND FIN SURFACES HAVE BEEN TREATED WITH AN ANTI-MICROBIAL ACRYLIC COATING  
 -THE 1523800-35 IS IN COMPLIANCE WITH THE RAC DRAWING 36-380088-5

		-31 OR -35							
QTY.	ITEM	SIZE	PART NUMBER	DESCRIPTION	MATERIAL	MAT'L. SPEC.	FINISH	FINISH SPEC.	
LIST OF MATERIALS									
DIMENSIONAL SYMBOLS PER ASME Y14.5		UNLESS OTHERWISE SPECIFIED		SIGNATURES		DATE		<b>AERO SPACE CONTROLS CORPORATION</b> WICHITA, KANSAS TITLE: <b>EVAPORATOR MODULE</b> -OUTLINE- CODE IDENT No. <span style="border: 1px solid black; padding: 2px;">D</span> SIZE <span style="border: 1px solid black; padding: 2px;">D</span> DWG. No. <b>1523800</b> SCALE: 1:1 UNIT WT. LBS. SHT. 4 OF 9	
/ FLATNESS		1. DIMENSIONS ARE IN INCHES		DR. D. SIMON		10-16-01			
- STRAIGHTNESS		- TOLERANCES ON FRACTIONS ± 1/16		CHK.					
∠ ANGULARITY		XX DEC ±.030		ENGR.					
⊥ PERPENDICULARITY		XXX DEC ±.010		APPD.					
// PARALLELISM		2. SURFACE ROUGHNESS PER ASME-B46.1		NEXT ASSY:					
◎ CONCENTRICITY		3. REMOVE BURRS & BREAK SHARP EDGES .020 MAX.		APPD.					
⊕ TRUE POSITION		4. INTERNAL RADI .005 TO .015		NEXT ASSY:					
○ CIRCULARITY (ROUNDNESS)		5. STRAIGHT SCREW MIL-S-7742 TAPERED PIPE MIL-P-7105		APPD.					
= SYMMETRY				6. ALL DIMENSIONS BEFORE PLATING					
Ⓜ (MMC) MAXIMUM MATERIAL CONDITION				DO NOT SCALE DRAWING					
Ⓢ (RFS) REGARDLESS OF FEATURE SIZE									

— NOTICE —  
 This drawing is a part of the proprietary article therein disclosed and all design, manufacturing, reproduction, use, patent rights, and other rights regarding the same are expressly reserved by Aero Space Controls Corporation. Hence, it is submitted under a confidential relationship for a specific purpose and shall not be disclosed to any unauthorized person or incorporated in any other projects.

REVISIONS				
C.O. NO.	REV.	REVISION DESCRIPTION	DATE	APPD.
ASC4740	R	SEE SHEET 1 FOR REVISIONS	2-10-10	D.S.



—31 EVAPORATOR MODULE  
 △ —35 EVAPORATOR MODULE

SEE SHEET (4) FOR THOSE NOTES APPLICABLE TO THE -31 OR -35 CONFIGURATIONS

QTY.		ITEM	SIZE	PART NUMBER	DESCRIPTION	MATERIAL	MATL. SPEC.	FINISH	FINISH SPEC.
—31 OR —35									
					LIST OF MATERIALS				
DIMENSIONAL SYMBOLS PER ASME Y14.5					UNLESS OTHERWISE SPECIFIED				
/ FLATNESS					TOLERANCES ON DIMENSIONS ARE IN INCHES				
- STRAIGHTNESS					FRACTIONS & 1/4 ANGLES				
< ANGLE					DIA. D. DIMON 10-16-01				
J PERPENDICULARITY					CONC.				
/ PARALLELISM					FOR DRG. 3-1000 (DRILL HOLES)				
O CONCENTRICITY					CONC. SEC. 8-100 (P&H 10387)				
* TRUE POSITION					APPD.				
O SQUARENESS					PER ASME Y14.5				
C CHAMFER (MOUNTING)					3X REMOVE BURRS & BREAK SHARP EDGES (SEE MAX. AREA)				
R RADIUS					4. INTERNAL RADI .005 TO .010				
S STRAIGHTNESS					6. ALL DIMENSIONS BEFORE PLATING				
T TOLERANCE					CODE BENT NO. SIZE DWG. NO.				
W WELD					D 1523800				
X INTERNAL CORNER					SCALE: 1:1				
Y STRAIGHT SLOTS MIL-B-7744					UNIT WT. LIB. SHY. 5 OF 9				
Z TAPERED PIPE MIL-P-7105					DO NOT SCALE DRAWING				

AERO SPACE CONTROLS CORPORATION  
 WINTA, KANSAS  
 TITLE: EVAPORATOR MODULE  
 —OUTLINE—