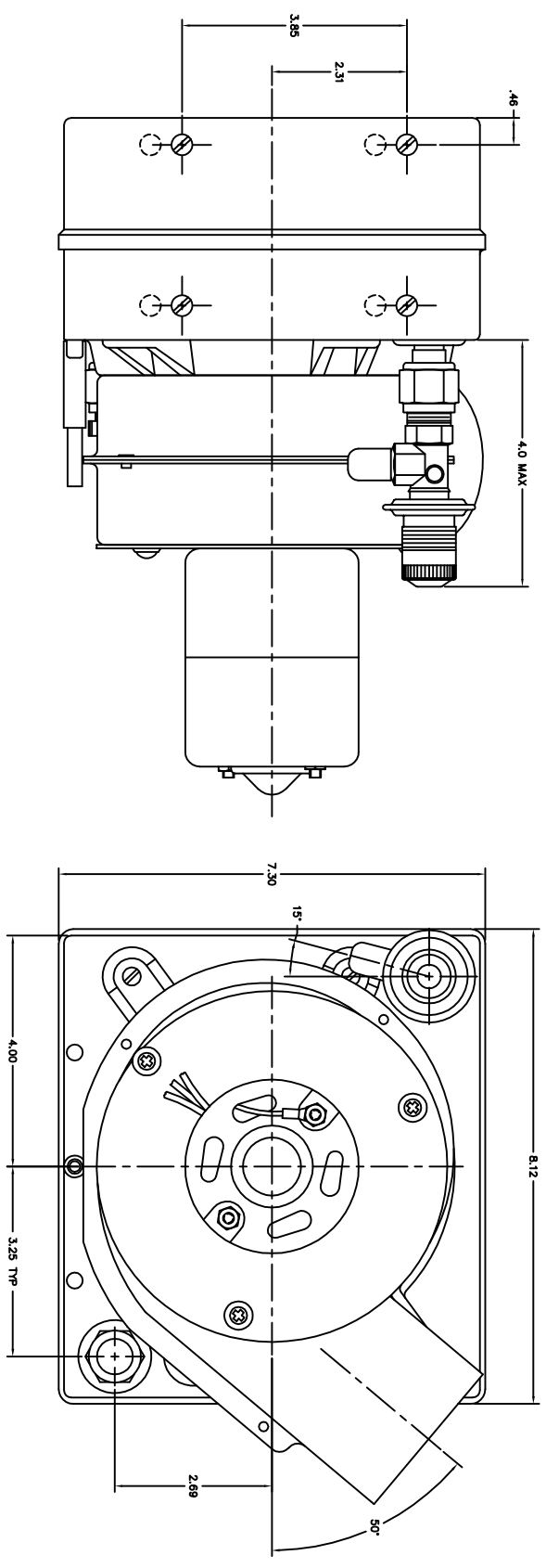


NOTICE
 This drawing is a part of the product's design. It is the property of the manufacturer and is not to be reproduced, stored in a retrieval system, or transmitted in any form or by any means, electronic, mechanical, photocopying, recording, or by any information storage and retrieval system, without the prior written permission of the manufacturer.



-1 CONFIGURATION
 SAME AS OTHER CONFIGURATIONS EXCEPT AS SHOWN

- NOTES CONTINUED:**
7. HOUSING MATERIAL TO BE HIGH IMPACT, FIRE RETARDANT, NON CORROSIVE AND LIGHTWEIGHT ABS.
 8. EXPANSION VALVE MUST BE SECURELY ATTACHED TO ENSURE PROPER OPERATION.
 9. UNIT PROVIDES 8000 BTU/H. WITH AIR ENTERING THE COIL AT 150 C.F.M. AT 80° F. D.B. AND 67° F. W.B.
 10. 10-32 FLOATING NUT/PLATES PROVIDED FOR MOUNTING.
 11. UNIT USES R-12 REFRIGERANT AND IS LEAK CHECKED PRIOR TO SHIPMENT.
 12. UNIT WEIGHS 8.25 LBS.
 13. EXPANSION VALVE SET AT 40 P.S.I.G.
 14. WIRING: WHITE-GROUND
 RED-ON/OFF
 RED-LOW
 15. LOW SPEED CURRENT 4.5 MAXIMUM
 HIGH SPEED CURRENT 6.5 MAXIMUM
 16. LOW SPEED (REF.) 3500 ±500
 HIGH SPEED (REF.) 5000 ±500

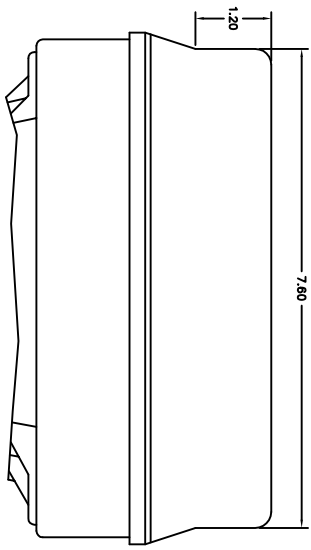
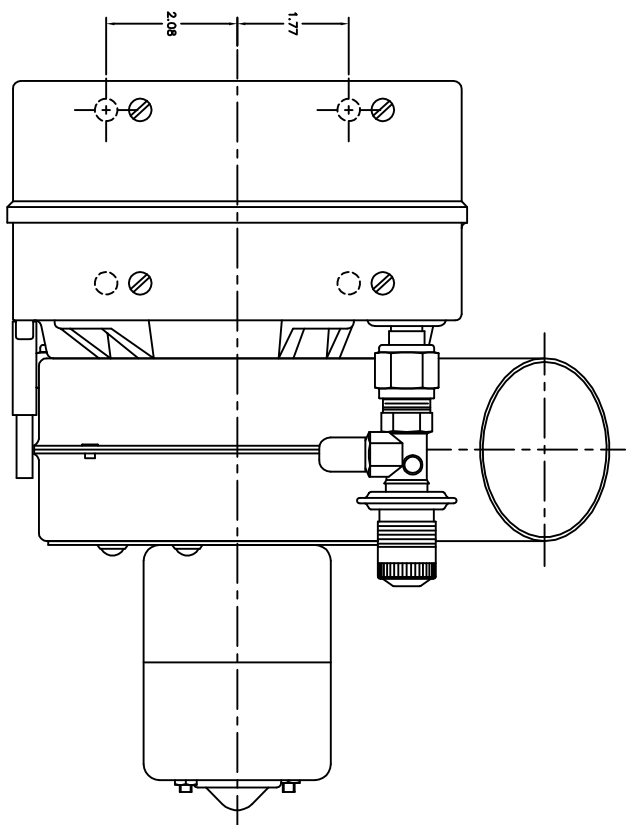
C.O. NO.	REV.	REVISION DESCRIPTION	DATE	APP'D.
ASCI333	A	REWORK TO CAD. DIM. CHANGES. SHT. (1) - IS 4.6 WAS .50; IS 2.69 WAS 2.60. SHT. (2) - IS 5.71 WAS 5.20; IS 6.50 WAS 6.00. SHT. (3) - IS 5.95 WAS 6.20; IS 6.20 WAS 5.95. IS 7.30 WAS 7.25.	8-23-89	D.S.
AS22917	B	REWORK (-3) VIEW WITH DRAIN PORT DOWN	9-14-04	D.S.

REV.	DATE	DESCRIPTION	INITIALS	DATE	DESCRIPTION
1					

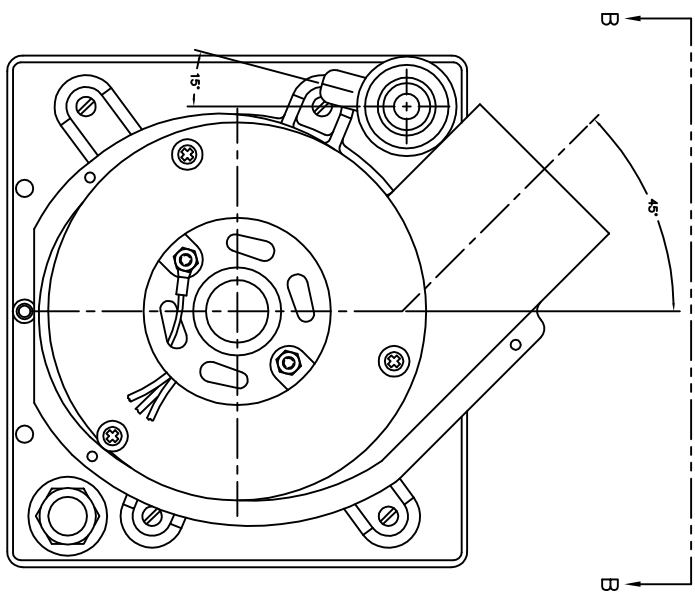
DESIGNED BY	DATE	SCALE	1:1
CHECKED BY	DATE	SCALE	1:1
APPROVED BY	DATE	SCALE	1:1

INDUSTRY	AVIATION
PRODUCT	EVAPORATOR MODULE
PROJECT NO.	1523280
REV.	D

NOTICE
 This document is a part of the property of the United States Government. It is loaned to your organization for your information only. It and its contents are not to be distributed outside your organization without the express written approval of the person or organization to whom it was loaned.



VIEW B-B



-4 CONFIGURATION
 SAME AS OTHER CONFIGURATIONS EXCEPT AS SHOWN

REV. NO.		REV.		REVISION DESCRIPTION		DATE		APPRO.	
AS2317		B		SEE SHEET 1 FOR REVISIONS		9-14-04		D.S.	

REV.	DESCRIPTION	DATE	BY	CHKD.	APP'D.
1	ISSUED FOR FABRICATION				
2	REVISIONS				
3	REVISIONS				
4	REVISIONS				

DESCRIPTION	EVAPORATOR MODULE
QUANTITY	1
DATE	9-14-04
BY	D.S.
CHKD.	
APP'D.	
SCALE	1:1
UNIT	INCHES
FIG. NO.	8.25
SHEET	4 OF 4

DESIGNER	DATE	BY	CHKD.	APP'D.

DESCRIPTION	EVAPORATOR MODULE
QUANTITY	1
DATE	9-14-04
BY	D.S.
CHKD.	
APP'D.	
SCALE	1:1
UNIT	INCHES
FIG. NO.	8.25
SHEET	4 OF 4