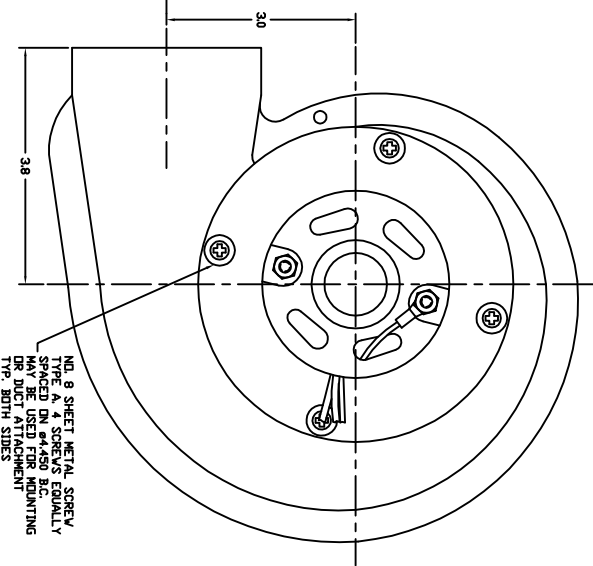
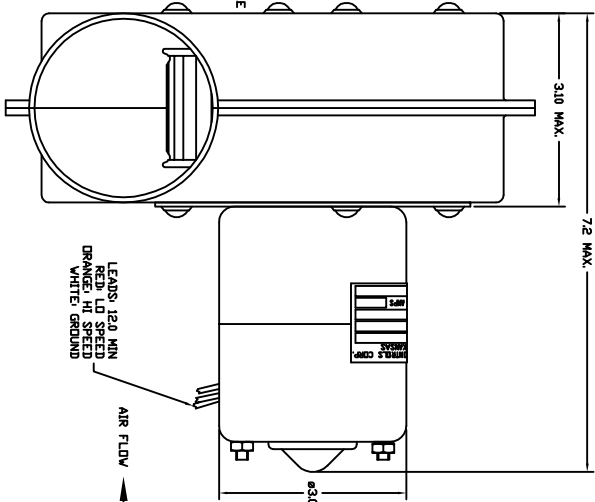
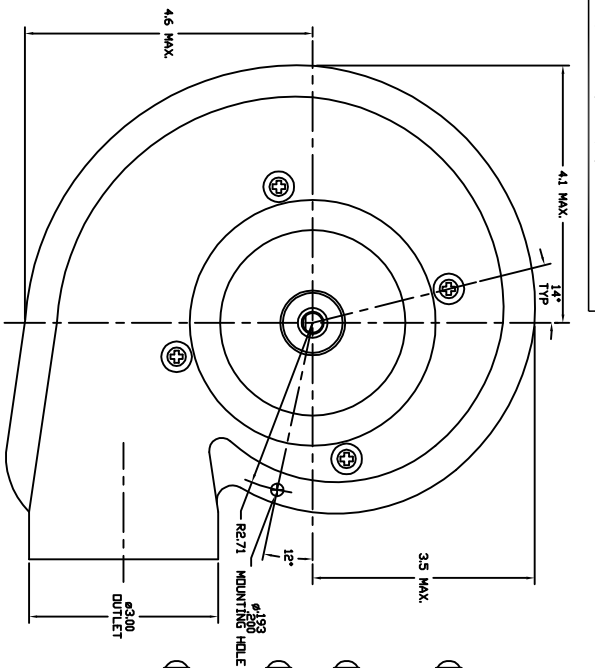
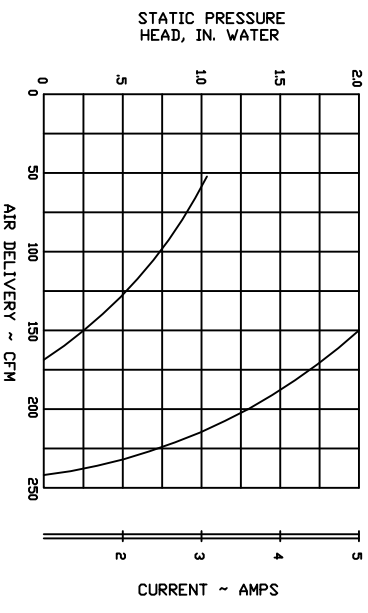


NOTICE - This drawing is a part of the proprietary and/or confidential information of the manufacturer. It is intended for use by the customer only. It is not to be reproduced, copied, or distributed in any form without the express written permission of the manufacturer. Any unauthorized use or disclosure of this information is strictly prohibited.



-2 CONFIG. SHOWN
-1 CONFIG. OPPOSITE

- NOTES CONT'D.
- ELECTRIC POWER, 12 VDC, 140 WATTS (MAX) OR 28 VDC, 240 WATTS (MAX)
 - BLOWER WEIGHT, 4.0 LBS. MAX
 - SCROLL MATERIAL, KROEX 100
 - MOUNTING PROVISIONS AS SHOWN, OTHERS MAY BE PROVIDED PER CUSTOMER REQUIREMENTS.
 - OPPOSITE INDICATES THAT THE MOTOR IS MOUNTED ON THE OPPOSITE SIDE.
 - SINGLE SPEED ONLY - HI SPEED GROUND AND POSITIVE LEADS TO BE BLACK
 - SINGLE SPEED ONLY - HI SPEED



REV	DATE	DESCRIPTION
1	1523202	ISSUE FOR PRODUCTION
2		REVISION 13
3		REVISION 14
4		REVISION 15
5		REVISION 16
6		REVISION 17
7		REVISION 18
8		REVISION 19
9		REVISION 20
10		REVISION 21
11		REVISION 22
12		REVISION 23
13		REVISION 24
14		REVISION 25
15		REVISION 26
16		REVISION 27
17		REVISION 28
18		REVISION 29
19		REVISION 30
20		REVISION 31
21		REVISION 32
22		REVISION 33
23		REVISION 34
24		REVISION 35
25		REVISION 36
26		REVISION 37
27		REVISION 38
28		REVISION 39
29		REVISION 40
30		REVISION 41
31		REVISION 42
32		REVISION 43
33		REVISION 44
34		REVISION 45
35		REVISION 46
36		REVISION 47
37		REVISION 48
38		REVISION 49
39		REVISION 50
40		REVISION 51
41		REVISION 52
42		REVISION 53
43		REVISION 54
44		REVISION 55
45		REVISION 56
46		REVISION 57
47		REVISION 58
48		REVISION 59
49		REVISION 60
50		REVISION 61
51		REVISION 62
52		REVISION 63
53		REVISION 64
54		REVISION 65
55		REVISION 66
56		REVISION 67
57		REVISION 68
58		REVISION 69
59		REVISION 70
60		REVISION 71
61		REVISION 72
62		REVISION 73
63		REVISION 74
64		REVISION 75
65		REVISION 76
66		REVISION 77
67		REVISION 78
68		REVISION 79
69		REVISION 80
70		REVISION 81
71		REVISION 82
72		REVISION 83
73		REVISION 84
74		REVISION 85
75		REVISION 86
76		REVISION 87
77		REVISION 88
78		REVISION 89
79		REVISION 90
80		REVISION 91
81		REVISION 92
82		REVISION 93
83		REVISION 94
84		REVISION 95
85		REVISION 96
86		REVISION 97
87		REVISION 98
88		REVISION 99
89		REVISION 100

REV	DATE	DESCRIPTION	BY	CHK
1	1523202	ISSUE FOR PRODUCTION		
2		REVISION 13		
3		REVISION 14		
4		REVISION 15		
5		REVISION 16		
6		REVISION 17		
7		REVISION 18		
8		REVISION 19		
9		REVISION 20		
10		REVISION 21		
11		REVISION 22		
12		REVISION 23		
13		REVISION 24		
14		REVISION 25		
15		REVISION 26		
16		REVISION 27		
17		REVISION 28		
18		REVISION 29		
19		REVISION 30		
20		REVISION 31		
21		REVISION 32		
22		REVISION 33		
23		REVISION 34		
24		REVISION 35		
25		REVISION 36		
26		REVISION 37		
27		REVISION 38		
28		REVISION 39		
29		REVISION 40		
30		REVISION 41		
31		REVISION 42		
32		REVISION 43		
33		REVISION 44		
34		REVISION 45		
35		REVISION 46		
36		REVISION 47		
37		REVISION 48		
38		REVISION 49		
39		REVISION 50		
40		REVISION 51		
41		REVISION 52		
42		REVISION 53		
43		REVISION 54		
44		REVISION 55		
45		REVISION 56		
46		REVISION 57		
47		REVISION 58		
48		REVISION 59		
49		REVISION 60		
50		REVISION 61		
51		REVISION 62		
52		REVISION 63		
53		REVISION 64		
54		REVISION 65		
55		REVISION 66		
56		REVISION 67		
57		REVISION 68		
58		REVISION 69		
59		REVISION 70		
60		REVISION 71		
61		REVISION 72		
62		REVISION 73		
63		REVISION 74		
64		REVISION 75		
65		REVISION 76		
66		REVISION 77		
67		REVISION 78		
68		REVISION 79		
69		REVISION 80		
70		REVISION 81		
71		REVISION 82		
72		REVISION 83		
73		REVISION 84		
74		REVISION 85		
75		REVISION 86		
76		REVISION 87		
77		REVISION 88		
78		REVISION 89		
79		REVISION 90		
80		REVISION 91		
81		REVISION 92		
82		REVISION 93		
83		REVISION 94		
84		REVISION 95		
85		REVISION 96		
86		REVISION 97		
87		REVISION 98		
88		REVISION 99		
89		REVISION 100		

SCALE: 1:1
 TITLE: BLOWER
 PART NO: 1523202
 SHEET 1 OF 4