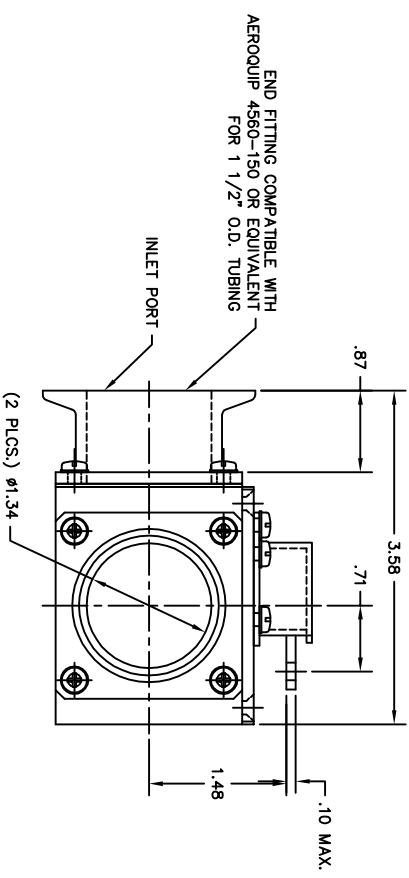
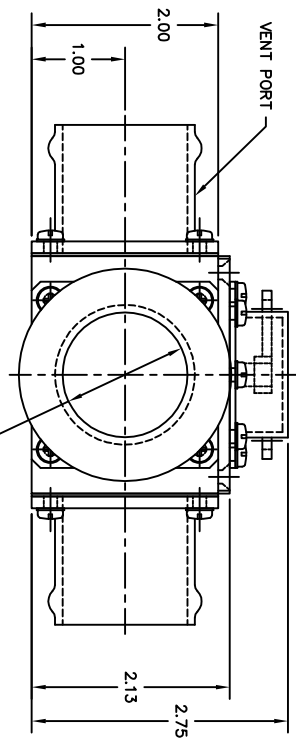
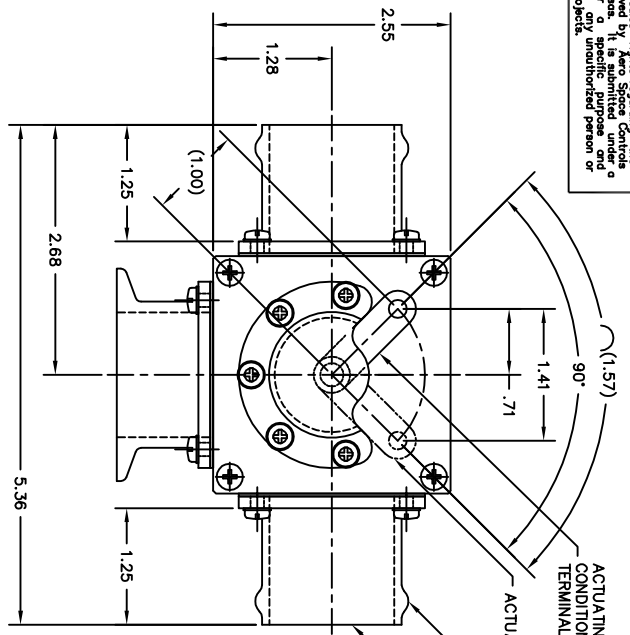


— NOTICE —
 This drawing is a part of the proprietary article therein, disclosed, and all design, manufacturing, reproduction, or use of the same, in any form, is reserved by Aero Space Controls Corporation, Wichita, Kansas. It is submitted under a non-disclosure agreement, and shall not be disclosed to any unauthorized person or incorporated in any other projects.



NOTES CONTINUED:
 7. FLUID: ENGINE BLEED AIR
 —1 DIVERTER VALVE

- 8. TEMPERATURES:
 AMBIENT: -65°F TO +160°F
 FLUID: 235°F MAXIMUM
- 9. PRESSURES:
 AMBIENT: SEA LEVEL TO 50,000 FT.
 FLUID: 20 PSIG MAXIMUM OPERATING, 30 PSIG PROOF, 40 PSIG BURST
- 10. LEAKAGE:
 EXTERNAL: .05 PPM MAXIMUM AT 10 PSIG
 INTERNAL: .50 PPM MAXIMUM AT 10 PSIG
- 11. NAMEPLATE INFORMATION
 AERO SPACE CONTROLS CORP.
 DIVERTER VALVE P.N. 2432A100-1
 SERIAL NO. _____ DATE: _____
 CUSTOMER P.N. _____
- 12. WEIGHT: 1.16 LBS. MAXIMUM

| C.O. NO. | | REV. | | REVISION DESCRIPTION | | DATE | APPD. |
|----------|--|------|--|--|--|---------|-------|
| ASCA301 | | A | | UPDATE DIAMETER SIZE OF 2432114-1 FLANGE END TO NOTE (10) ADD EXTERNAL/INTERNAL LEAKAGE FIGURES. ADD NOTE (12). SEE ECO. | | 4-10-07 | D.S. |

| QTY. | ITEM SIZE | PART NUMBER | DESCRIPTION | MATERIAL | MAT'L SPEC. | FINISH | FINISH SPEC. |
|------|-----------|-------------|----------------|----------|-------------|--------|--------------|
| | | -1 | DIVERTER VALVE | | | | |

| DIMENSIONAL SYMBOLS PER ASME Y14.5 | | UNLESS OTHERWISE SPECIFIED | | LIST OF MATERIALS | | TITLE | |
|------------------------------------|---|-------------------------------------|---|----------------------------------|----|--------|---------|
| ∠ FLATNESS | — STRAIGHTNESS | 1. DIMENSIONS ARE IN INCHES | — TOLERANCES ON — | DR. | D. | OR TH | DATE |
| ∠ ANGULARITY | ⊥ PERPENDICULARITY | FRACTIONS ± 1/161 | ANGLES ±0° 30' | CHK. | | | |
| // PARALLELISM | ⊙ CONCENTRICITY | XX DEC ±.030 | DRILL HOLES XXX DEC ±.010 | ENGR. | | | |
| ⊙ TRUE POSITION | ⊖ CIRCULARITY (ROUNDNESS) | 2. SURFACE ROUGHNESS PER MIL-STD-10 | 3. REMOVE BURRS & BREAK SHARP EDGES .010 MAX. | APPD. | S. | AXTELL | 5-24-06 |
| ⊕ SYMMETRY | ⊖ (MMD) MAXIMUM ROUNDNESS OF FEATURE SIZE | 4. INTERNAL RADII .005 TO .015 | 5. STRAIGHT SKEW MIL-S-7742 TAPERED PIPE MIL-P-7105 | 6. ALL DIMENSIONS BEFORE PLATING | | | |
| | | | | DO NOT SCALE DRAWING | | | |

| | | | | |
|--|-----|---------------|------|----------|
| AERO SPACE CONTROLS CORPORATION WICHITA, KANSAS | | CODE DENT NO. | SIZE | DWG NO. |
| DIVERTER VALVE | | | C | 2432A100 |
| SCALE | 1:1 | UNIT | WT | LBS |
| | | | SHT | 1 OF 1 |