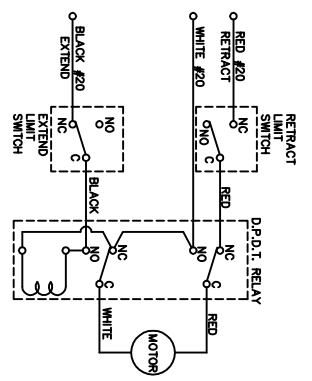
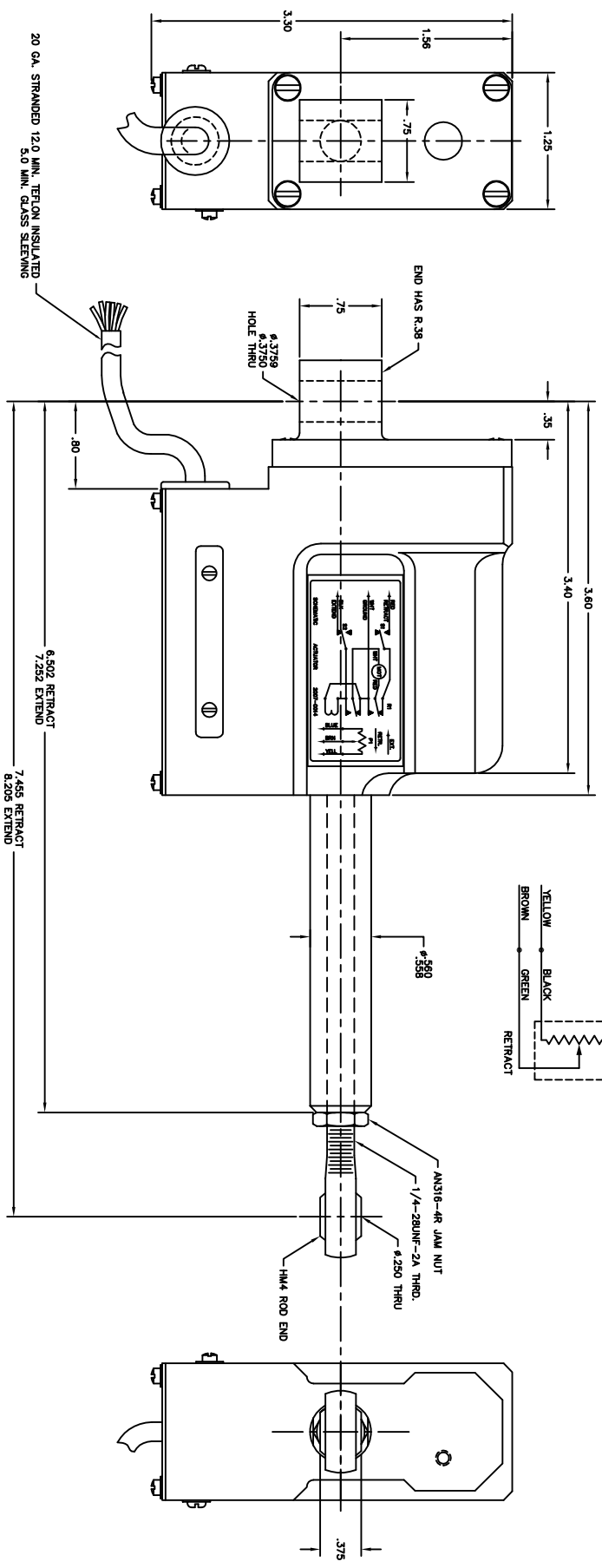
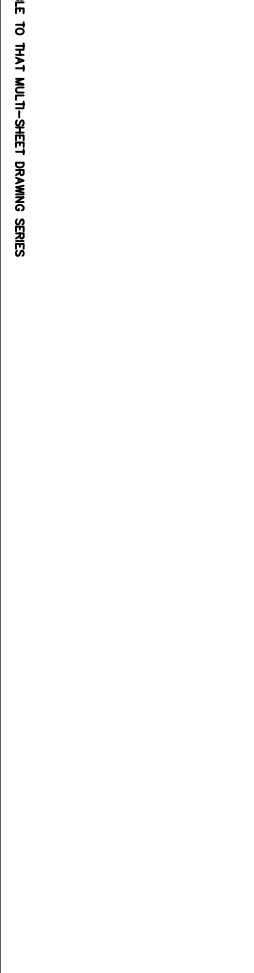


NOTICE
 This drawing is a part of the proprietary rights, trade secrets, and confidential information of the undersigned. It is the property of the undersigned and is not to be reproduced, stored in a retrieval system, or transmitted in any form or by any means, electronic, mechanical, photocopying, recording, or by any information storage and retrieval system, without the prior written permission of the undersigned.



ELECTRICAL SCHEMATIC
 SHOWN IN RETRACT POSITION
 -FOR DRAFTING PURPOSES THIS SCHEMATIC HAS BEEN GROUPED-

- NOTES CONTINUED:
 7. WIRE PER MIL.-W-5096
 8. VOLTAGE: 28VDC
 9. EYE BOLT ADJUSTMENT: ±0.12"
 10. TOTAL STROKE SET WITH L/S: .75 IN.
 11. STATIC TENSION LOAD: 330 LBS. MAXIMUM
 OPERATIONAL LOAD: 110 LBS. NOMINAL / 150 LBS. MAXIMUM
 12. MAXIMUM CURRENT: 2.0 AMPS WITH 150 LB. LOAD
 13. WEIGHT: 1.25 LBS.
 14. MAXIMUM CYCLE TIME: 20 SEC. - NO LOAD.
 15. FOR ASSEMBLY SEE 1092301-23 DRAWING SHEET AS APPLICABLE TO THAT MULTI-SHEET DRAWING SERIES



REV.	DATE	DESCRIPTION	MATERIAL	QTY.	UNIT
1	2007-0014	ACTUATOR ASSEMBLY - OUTLINE			

REV.	DATE	DESCRIPTION	MATERIAL	QTY.	UNIT
1	2007-0014	ACTUATOR ASSEMBLY - OUTLINE			

REV.	DATE	DESCRIPTION	MATERIAL	QTY.	UNIT
1	2007-0014	ACTUATOR ASSEMBLY - OUTLINE			

REV.	DATE	DESCRIPTION	MATERIAL	QTY.	UNIT
1	2007-0014	ACTUATOR ASSEMBLY - OUTLINE			