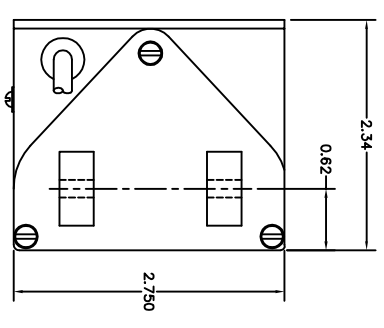
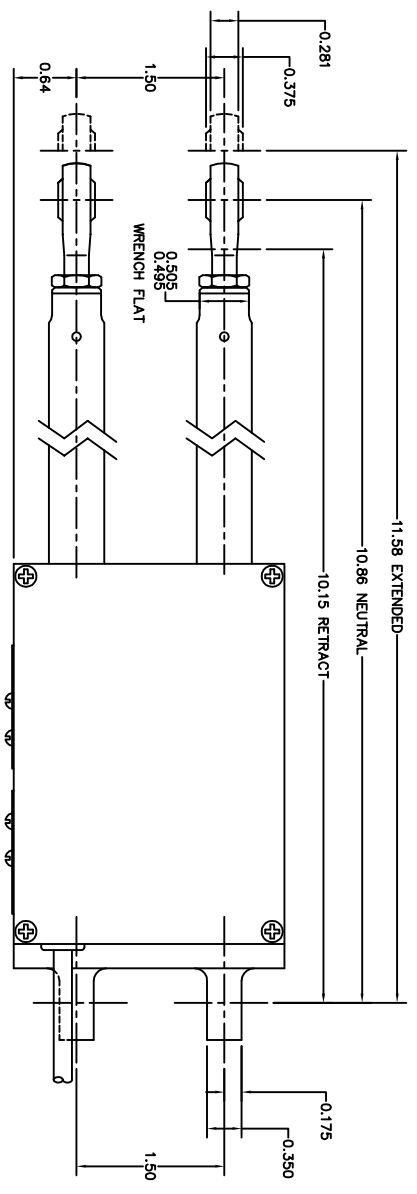
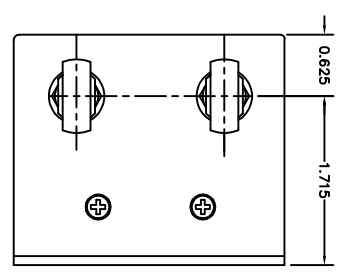
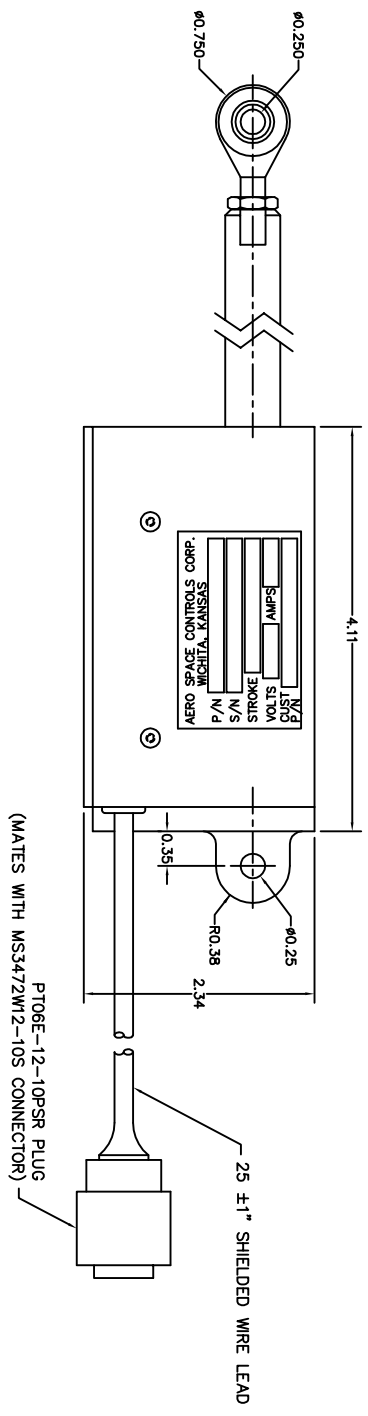
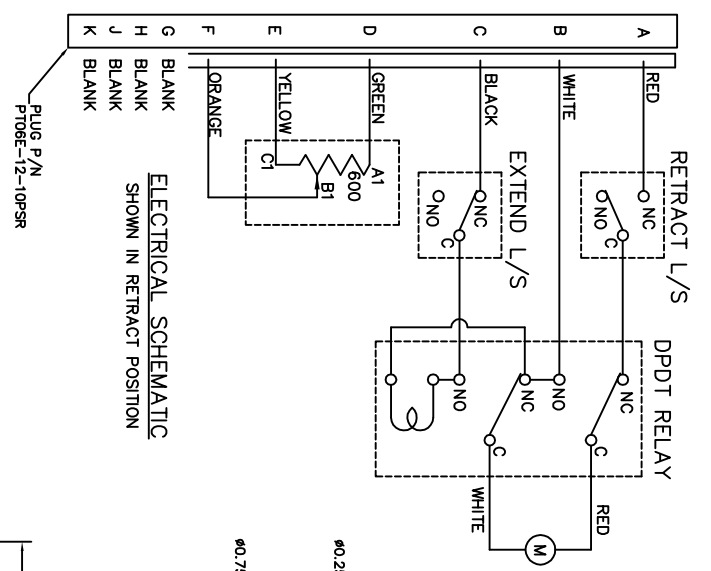


REVISIONS		REVISION DESCRIPTION	DATE	APP.		
C.O. NO.	REV.	ASC4070	S	SEE SHEET 1 FOR REVISIONS	10-13-05	S.A.

WIRE LEGEND
 RED +28VDC ACTUATOR RETRACT
 WHITE -28VDC ACTUATOR GROUND
 BLACK +28VDC ACTUATOR EXTEND
 YELLOW EXTEND POSITION INDICATOR
 GREEN RETRACT POSITION INDICATOR
 ORANGE WIPER (VARIABLE POSITION)



-7 CONFIGURATION

- NOTES CONTINUED: (AS APPLICABLE TO THE (-7) ASSEMBLY)
- SEE 2006101-7 FOR APPLICABLE ASSEMBLY DRAWING
 - VOLTAGE: 24/28 VDC
 - MAXIMUM CURRENT: 0.5 AMPS WITH 290 LB. LOAD
 - STATIC LOAD: 450 LBS. MAX. NOMINAL OPERATIONAL LOAD: 150 LBS. TRANSIENT OPERATIONAL LOAD: 290 LBS. MAXIMUM
 - STROKE LENGTH: 1.43 ± 0.03 IN.
 - NOMINAL SPEED: .026 IN./SEC. AT 150 LB. LOAD
 - MAX. CYCLE TIME: 120 SEC. AT MAX. LOAD MIN. CYCLE TIME: 100 SEC. AT MAX. LOAD
 - MAX. CYCLE TIME: 110 SEC. AT NO LOAD MIN. CYCLE TIME: 85 SEC. AT NO LOAD
 - EYE BOLT ADJUSTMENT: ±.20
 - WEIGHT: 2.6 LBS. MAXIMUM

— NOTICE —
 This drawing is a part of the proprietary article therein, and all design, manufacturing, reproduction, use, patent rights, and other rights regarding the design, manufacture, use, sale, or other disposition of the article, or any part thereof, are reserved by Aero Space Controls Corporation, Wichita, Kansas. It is submitted under a non-exclusive license for a specific purpose and may not be disclosed to any unauthorized person or reproduced in any other project.

QTY	ITEM SIZE	PART NUMBER	DESCRIPTION	MATERIAL	FINISH	FINISH SPEC
		-7				

DIMENSIONAL SYMBOLS PER MIL-STD-88	UNLESS OTHERWISE SPECIFIED	SIGNATURES	DATE
— FLATNESS & STRAIGHTNESS	1. DIMENSIONS ARE IN INCHES	DR Daniel Simon	2-14-02
< ANGLE	FRACTIONS ± 1/16	CHK	
⊥ PERPENDICULARITY	XX DEC. ±.00	ENGR	
PARALLELISM	XX DEC. ±.00	APP'D Don Simon	2-14-02
⊙ CONCENTRICITY	2. SURFACE ROUGHNESS PER MIL-STD-10		
⊕ TRUE POSITION	3. ROUNDNESS PER MIL-STD-11		
⊖ ROUNDRNESS	4. INTERNAL RADIUS TO .015		
⊖ MAXIMUM MATERIAL	5. STRAIGHTNESS PER MIL-5-7742		
⊖ FREE SURFACE	6. TAPERED PER MIL-2-105		
⊖ TOLERANCE ZONE	DO NOT SCALE DRAWING		

TITLE	CODE IDENT	NOL. SIZE	DWG. NOL.
AERO SPACE CONTROLS CORPORATION WICHITA, KANSAS		C	2006A100

SCALE	UNIT	WT.	LBS.	SHT	OF
1:1				3	3