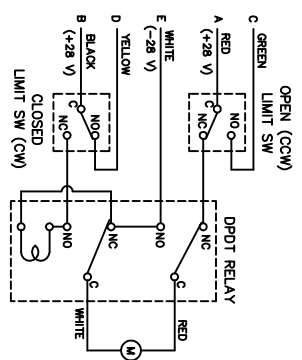


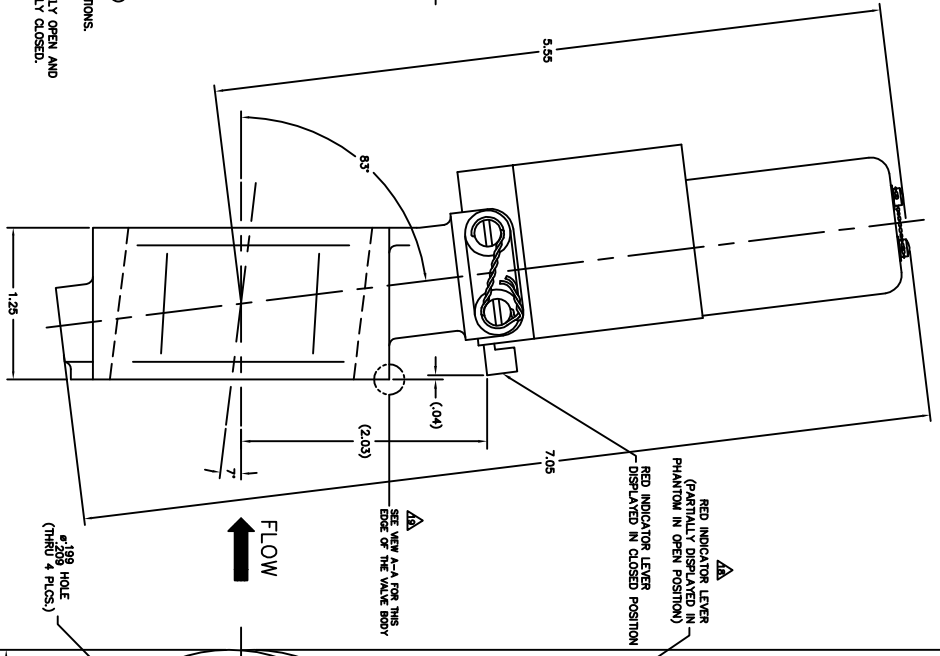
NOTICE
 This drawing is a part of the proprietary design, strength, and construction of the Aero Space Controls Corporation, and is not to be used, copied, or reproduced in any form without the written permission of Aero Space Controls Corporation. The Aero Space Controls Corporation is not responsible for any errors or omissions in this drawing, and the user assumes all liability for any such errors or omissions.



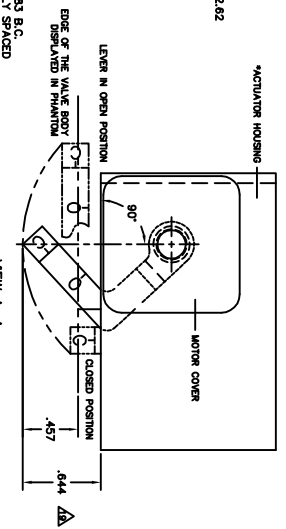
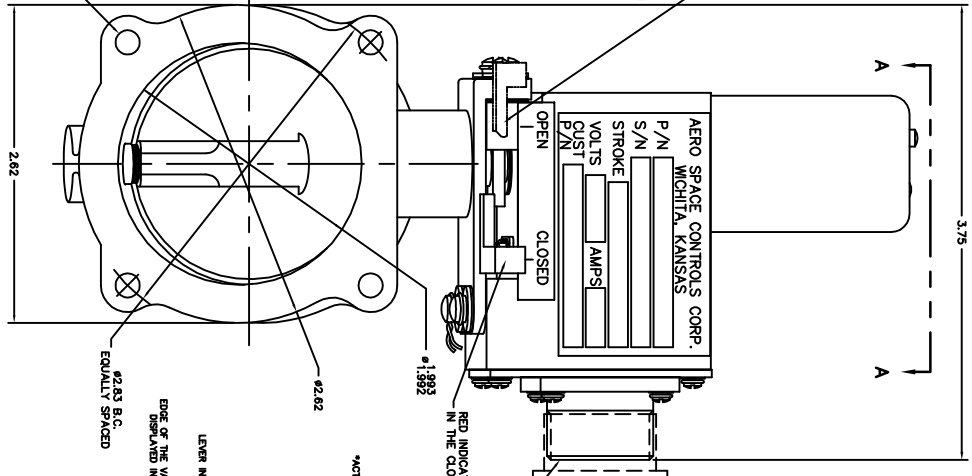
ELECTRIC SCHEMATIC 1915T100-15
 SHOWN IN CLOSED POSITION
 - FOR DRAFTING PURPOSES THIS SCHEMATIC HAS BEEN GROUPED -

NOTES CONTINUED:

7. AMBIENT TEMPERATURE: -40F TO 160F
8. VALVE DATA:
 OPERATING PRESSURE: 130 PSIG AT 500F
 MAXIMUM OPERATING PRESSURE: 150 PSIG AT 500F
 MAXIMUM LEAKAGE: 0.05 LB./MIN. AT 20 PSIG (INTERNAL)
9. ACTUATOR DATA:
 STROKE: 28 IN.
 RUNNING CURRENT: 0 AMP MAX.
 DUTY CYCLE: CONTINUOUS
 CYCLE TIME: 0.5 TO 2.0 SECONDS (OPEN TO CLOSE TO OPEN)
10. UNIT LIFE: A MINIMUM OF 20,000 CYCLES AT STANDARD CONDITIONS.
11. LIMIT SWITCH TO CLOSE CIRCUIT 'AC' WHEN VALVE IS COMPLETELY OPEN AND LIMIT SWITCH TO CLOSE CIRCUIT 'BD' WHEN VALVE IS COMPLETELY CLOSED.
12. MICROSPRINT RATING AT 28 VDC, SEA LEVEL:
 - RESISTIVE: 5 AMP
13. SEE SHEET (1)
14. SEE SHEET (1)
15. THIS SHEET (A) DETAILS THE VALVE BODY OF THIS (-9) ASSEMBLY BEING MADE FROM 356-T6 ALUMINUM.
16. SEE SHEETS (3) AND (6) AS APPLICABLE AND SHEETS (7) AND (8) AS APPLICABLE
17. SEE SHEETS (5) AND (6) AS APPLICABLE AND SHEETS (7) AND (8) AS APPLICABLE



-15 BLEED AIR VALVE w/INDICATOR LEVER



-L.O. TO DETAIL THE REQUIRED LEVER CLEARANCE DURING ROTATION-
 -VIEW LOOKING STRAIGHT DOWN ON ACTUATOR HOUSING-

REV	NO.	DATE	DESCRIPTION	BY	CHKD.	DATE
1	15		BLEED AIR VALVE			

REV	NO.	DATE	DESCRIPTION	BY	CHKD.	DATE
1	15		BLEED AIR VALVE			

REV	NO.	DATE	DESCRIPTION	BY	CHKD.	DATE
1	15		BLEED AIR VALVE			

REV	NO.	DATE	DESCRIPTION	BY	CHKD.	DATE
1	15		BLEED AIR VALVE			

REV	NO.	DATE	DESCRIPTION	BY	CHKD.	DATE
1	15		BLEED AIR VALVE			

REV	NO.	DATE	DESCRIPTION	BY	CHKD.	DATE
1	15		BLEED AIR VALVE			

REV	NO.	DATE	DESCRIPTION	BY	CHKD.	DATE
1	15		BLEED AIR VALVE			

REV	NO.	DATE	DESCRIPTION	BY	CHKD.	DATE
1	15		BLEED AIR VALVE			