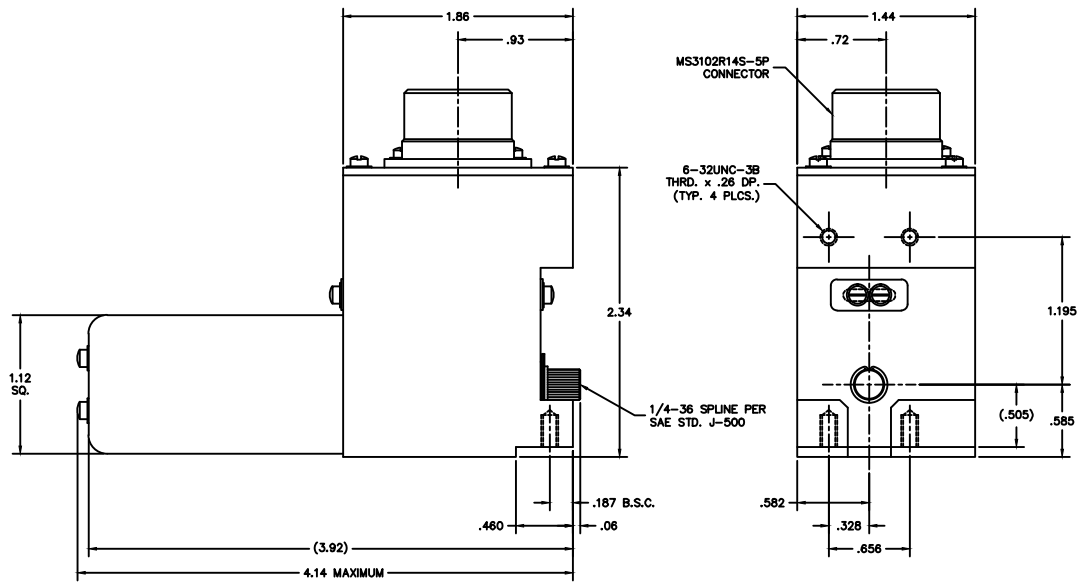
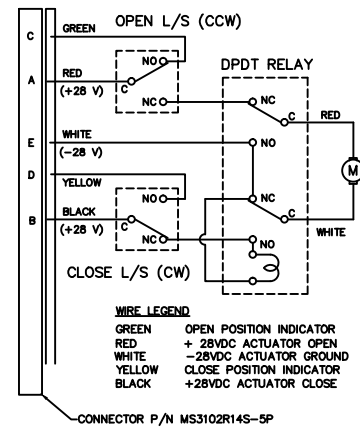


- NOTICE -
 This drawing is a part of the proprietary article therein disclosed, and all design, manufacturing, reproduction, use, patent rights, and other rights regarding the same are expressly reserved by Aero Space Controls Corporation, Wichita, Kansas. It is admitted under a confidential relationship for a specific purpose and shall not be disclosed to any unauthorized person or incorporated in any other projects.

REVISIONS				
C.O. NO.	REV.	REVISION DESCRIPTION	DATE	APPD.
ASC4921	N	SEE SHEET 1 FOR REVISIONS	3-18-11	D.S.



-31 CONFIGURATION



-31 ELECTRICAL SCHEMATIC

- FOR DRAFTING PURPOSES THIS SCHEMATIC HAS BEEN GROUPED -

- NOTES CONTINUED:
- VOLTAGE: 18-30 VOLTS DC, 28 VOLTS NOMINAL
 - STALL CURRENT: 2.0 AMPS MAX.
 - RUNNING CURRENT: .4 AMPS MAX.
 - DUTY CYCLE: CONTINUOUS OR INTERMITTENT
 - TIMING PER CYCLE (90°): 4-6 SECONDS
 - SEE APPROPRIATE 1619101 DRAWING SHEET 1-7 FOR ASSEMBLY

APPLICABLE TO SHEET (4) ONLY

-31		ROTARY ACTUATOR							
QTY.	ITEM	SIZE	PART NUMBER	DESCRIPTION	MATERIAL	MAT'L. SPEC.	FINISH	FINISH SPEC.	
LIST OF MATERIALS									
DIMENSIONAL SYMBOLS PER ASME Y14.5		UNLESS OTHERWISE SPECIFIED		SIGNATURES		DATE		AERO SPACE CONTROLS CORPORATION WICHITA, KANSAS ROTARY ACTUATOR CODE IDENT No. D DWG. No. 1619T100 SCALE: 2:1 UNIT WT. LBS. SHT. 5 OF 5	
/ FLATNESS		1. DIMENSIONS ARE IN INCHES - TOLERANCES ON -		DR. D. ORTH		1-15-07			
- STRAIGHTNESS		FRACTIONS ± 1/16 ANGLES		CHK.					
∠ ANGULARITY		XX DEC ±.030 ±0° 30'		ENGR.					
⊥ PERPENDICULARITY		XXX DEC ±.010 DRILL HOLES AND 10387		APPD. S. AXTELL		1-15-07			
// PARALLELISM		2. SURFACE ROUGHNESS PER ASME-B46.1		NEXT ASSY:					
◎ CONCENTRICITY		3. REMOVE BURRS & BREAK SHARP EDGES .010 MAX.		APPD. S. AXTELL		1-15-07			
⊕ TRUE POSITION		4. INTERNAL RADII .005 TO .015		6. ALL DIMENSIONS BEFORE PLATING					
○ CIRCULARITY (ROUNDNESS)		THREADS PER MIL-S-7742		DO NOT SCALE DRAWING					
= SYMMETRY		5. STRAIGHT SCREW MIL-P-7105 TAPERED PIPE MIL-P-7105							
Ⓜ (MMC) MAXIMUM MATERIAL CONDITION									
Ⓢ (RFS) REGARDLESS OF FEATURE SIZE									