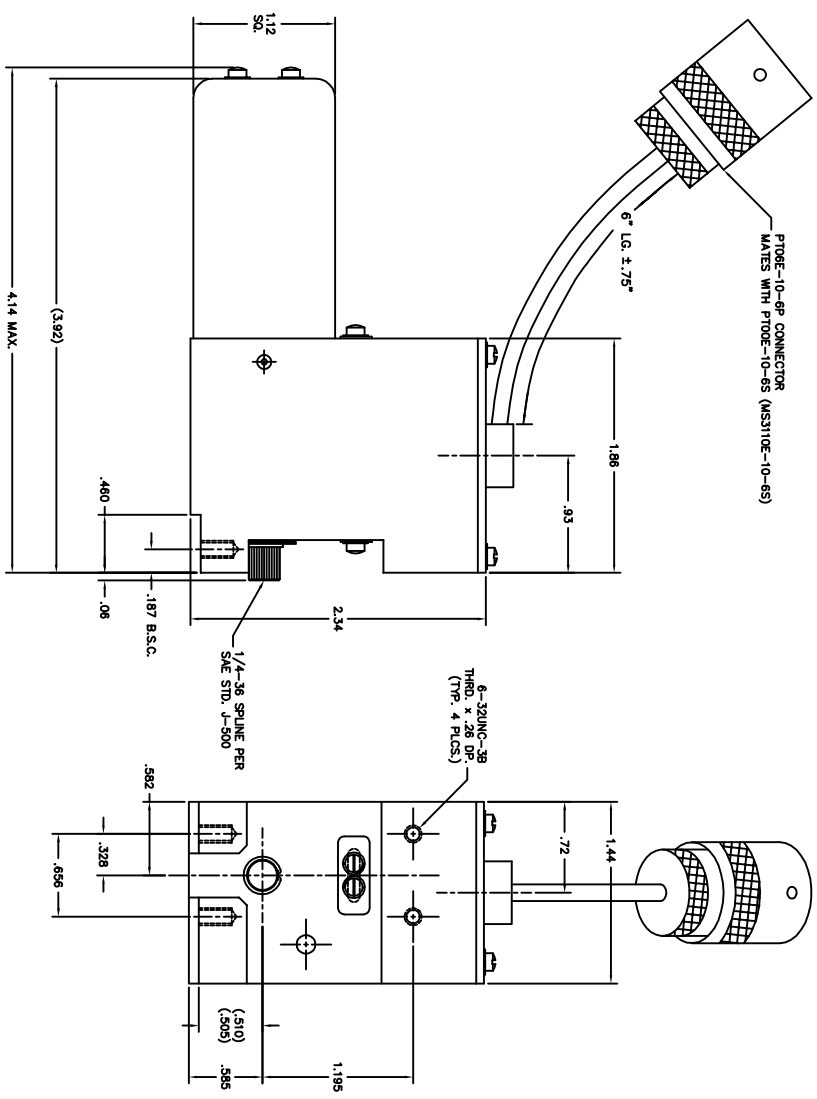


NOTICE
 This drawing is a part of the proprietary data, trade secrets, confidential information, and other confidential information of the manufacturer. It is intended for use only for the specific application and is not to be reproduced, stored in a retrieval system, or transmitted in any form or by any means, electronic, mechanical, photocopying, recording, or by any information storage and retrieval system, without the prior written permission of the manufacturer.

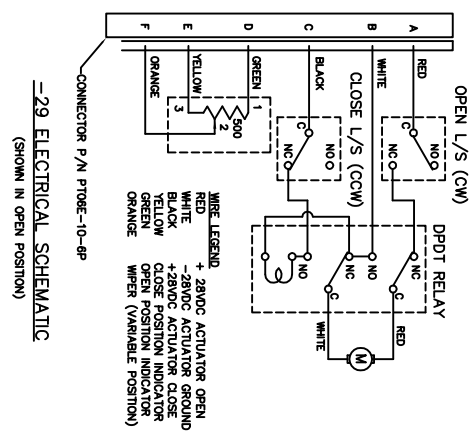


-29 CONFIGURATION

- NOTES CONTINUED:
- 7. VOLTAGE: 18-30 VOLTS
 - 8. STALL CURRENT: 2.0 AMPS MAX.
 - 9. RUNNING CURRENT: .4 AMPS MAX.
 - 10. DUTY CYCLE: CONTINUOUS OR INTERMITTENT
 - 11. TUNING PER CYCLE (270°): 15 SECONDS MINIMUM 25 SECONDS MAXIMUM

DWG. NO.	1001101	1001100
REV.		
DESCRIPTION	ACTUATOR	ASSEMBLY

REV.	1	2	3	4	5
DATE					
BY					
CHECKED					
APPROVED					
TITLE	ACTUATOR, ROTARY				
SCALE	2:1				



C.O. NO.	REV.	REVISION DESCRIPTION	DATE	APPD.
AS0250	L	SEE SHEET 1 FOR REVISIONS	1-15-07	S.A.