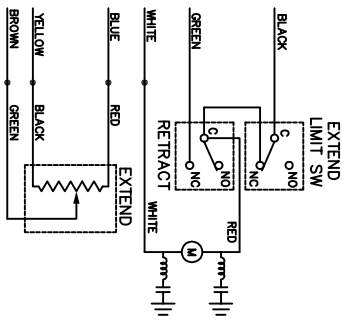
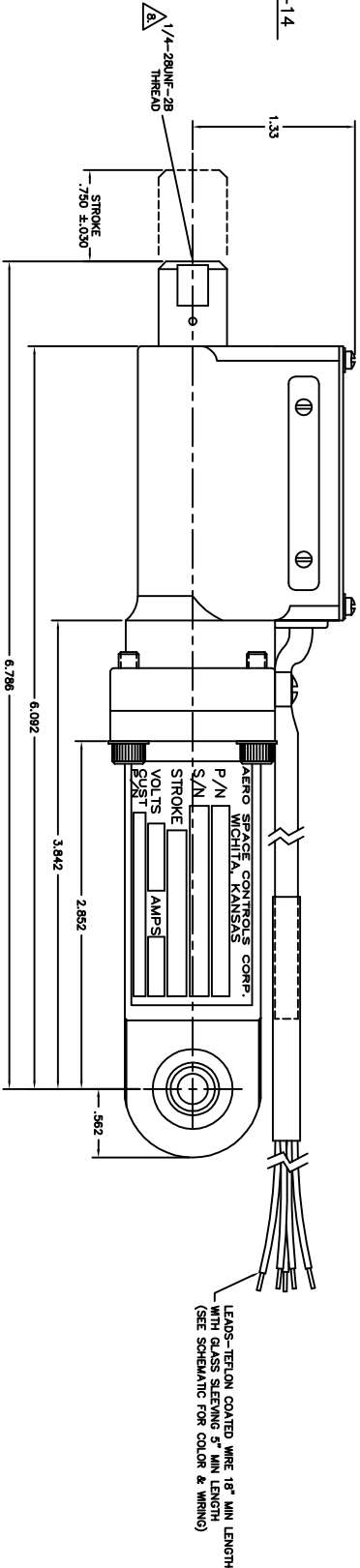
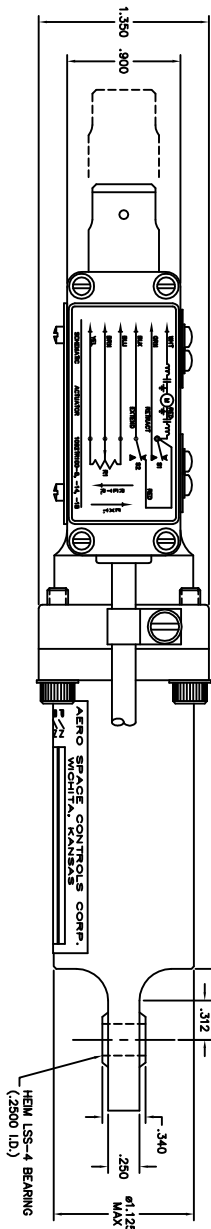


This drawing is a part of the proprietary article shown. It contains information that is the property of Aero Space Controls Corporation, and its use is restricted to the original recipient. It is identified under a control number and is not to be reproduced or distributed in any form without the prior written consent of Aero Space Controls Corporation.



ELECTRIC SCHEMATIC 1092TR100-14  
SHOWN IN RETRACT POSITION



-14

- NOTES CONT'D:
- TO OPERATE ACTUATOR, APPLY 28 VDC AS NOTED:  
TO RETRACT: +28 VDC TO GREEN, -28 VDC TO WHITE  
TO EXTEND: +28 VDC TO WHITE, -28 VDC TO BLACK
  - DO NOT EXCEED .375 MAX THREAD DEPTH WHEN INSTALLING ENDS
  - LINEAR POTENTIOMETER VALUE 500 OHMS ±5% ACTIVE RANGE 100% OF POT RESISTANCE AT .750 ±.030 STROKE
  - NOMINAL WEIGHT 14.5 OUNCES
  - NOMINAL VOLTAGE 24 TO 28 VOLTS D.C.
  - ALL LEAD WIRES SHALL BE 22 AWG
  - EXTENSION TIME FOR .75 INCHES: 10 TO 15 SEC.  
RETRACT TIME FOR .75 INCHES: 10 TO 15 SEC.  
AT EXTENSION & RETRACTION TIMES TO BE CHECKED WHILE UNDER AN OPPOSING 50 LB. LOAD AND AT 28 VOLTS D.C. (REGULATED POWER SUPPLY)
  - UNIT MUST BE SEALED WATERTIGHT (ALL SEAMS & JOINTS)
  - MAX CURRENT 0.75 AMPERES AT NOM. VOLTAGE

REV	DATE	DESCRIPTION	BY	CHKD
1				
2				
3				
4				
5				
6				
7				
8				
9				
10				
11				
12				
13				
14				
15				

REV	DATE	DESCRIPTION	BY	CHKD
1				
2				
3				
4				
5				
6				
7				
8				
9				
10				
11				
12				
13				
14				
15				

REV	DATE	DESCRIPTION	BY	CHKD
1				
2				
3				
4				
5				
6				
7				
8				
9				
10				
11				
12				
13				
14				
15				

REV	DATE	DESCRIPTION	BY	CHKD
1				
2				
3				
4				
5				
6				
7				
8				
9				
10				
11				
12				
13				
14				
15				

REV	DATE	DESCRIPTION	BY	CHKD
1				
2				
3				
4				
5				
6				
7				
8				
9				
10				
11				
12				
13				
14				
15				

AERO SPACE CONTROLS CORPORATION  
ACTUATOR OUTLINE  
1092TR100-14  
SCALE 2:1  
REV 1